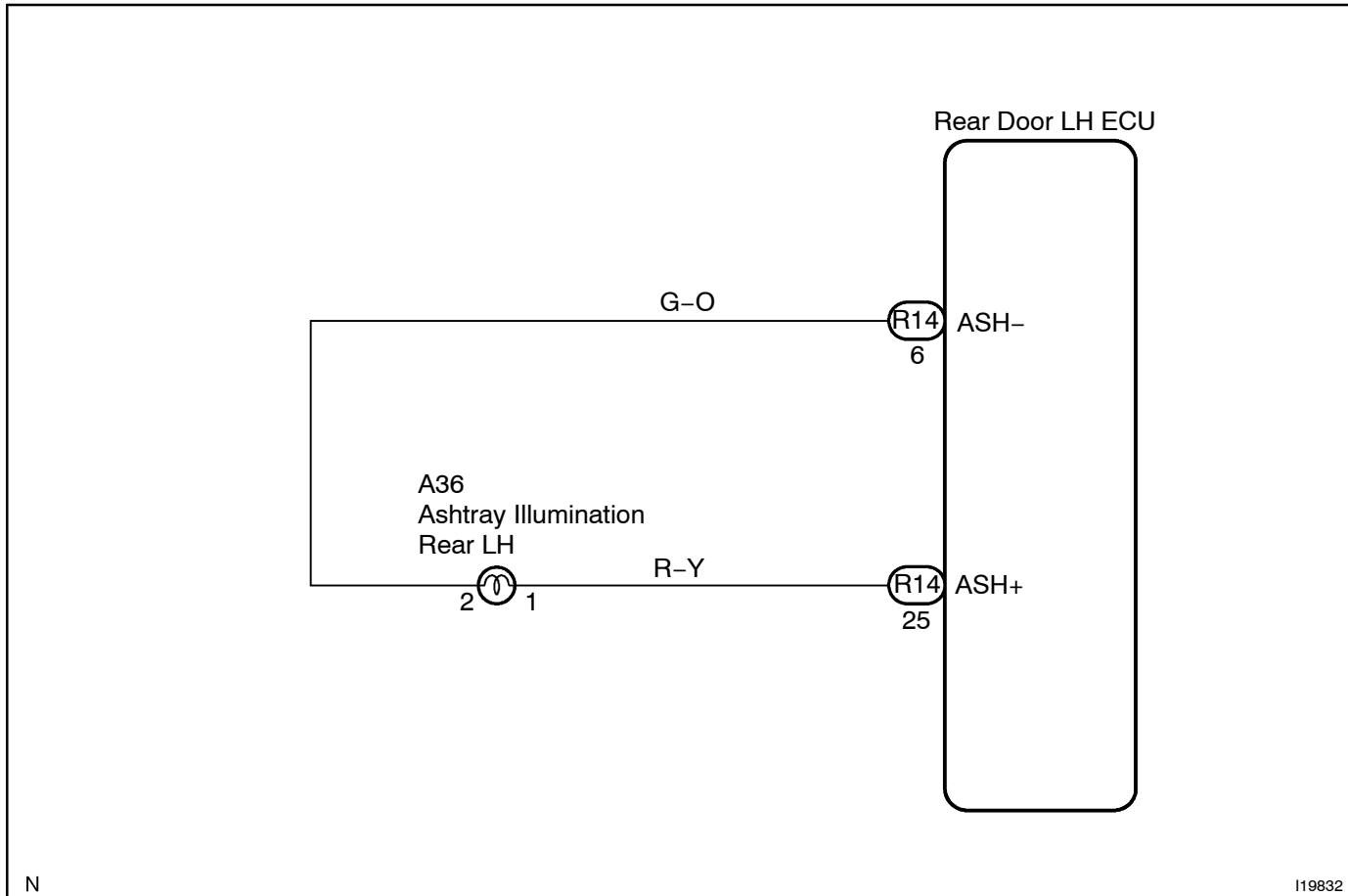


# Ashtray light circuit

## CIRCUIT DESCRIPTION

The ashtray illumination goes on when the ashtray lid is open and goes off when closed.

## WIRING DIAGRAM



N

I19832

**INSPECTION PROCEDURE**

1 Check ashtray light (See page BE-49).

NG

Replace ashtray light.

OK

2 Check wireharness and connector between ashtray light and rear door LH ECU (See page IN-35).

NG

Repair or replace wireharness or connector.

OK

Proceed to next circuit inspection shown on problem symptoms table (See page DI-1395).