

## Rear Seat Memory switch circuit (W/ memory)

### CIRCUIT DESCRIPTION

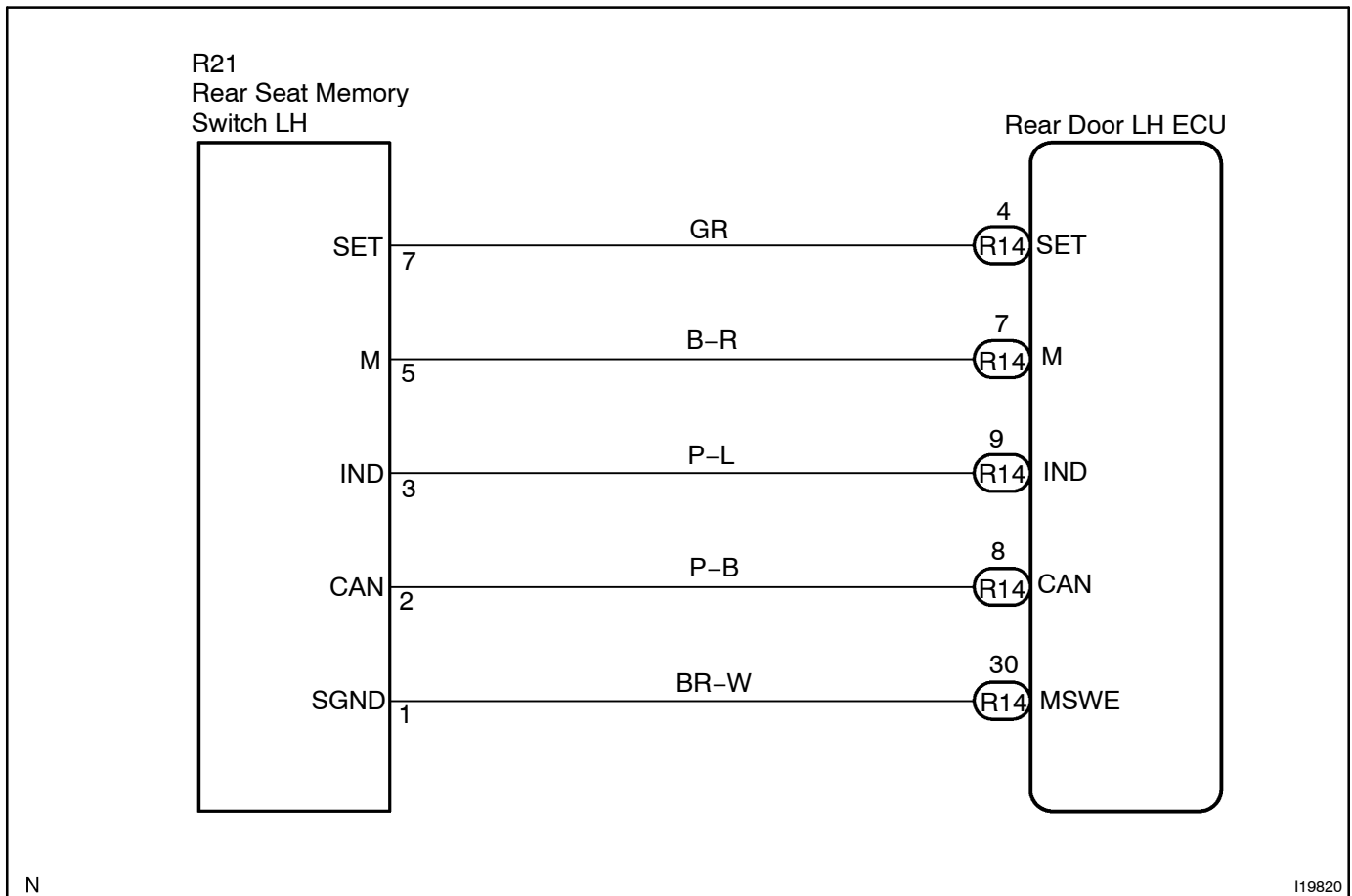
Each terminal receives the following switch signals.

M: Memory switch signal

SET: Memorized positions reproduction switch signal

CAN: Cancel switch signal

### WIRING DIAGRAM



**INSPECTION PROCEDURE****HINT:**

In case of using the LEXUS hand-held tester, start the inspection from step 1 and in case of not using the LEXUS hand-held tester, start from step 2.

1 Check memory switch using LEXUS hand-held tester.

**PREPARATION:**

Connect the LEXUS hand-held tester to DLC3.

**CHECK:**

Check that the memory switch using DATA LIST.

OK

Proceed to next circuit inspection shown on problem symptoms table (See page DI-1395).

NG

2 Check memory switch (See page BE-143).

NG

Replace memory switch.

OK

3 Check wireharness and connector between memory switch and rear door LH ECU (See page IN-35).

NG

Repair or replace wireharness or connector.

OK

Proceed to next circuit inspection shown on problem symptoms table (See page DI-1395).