

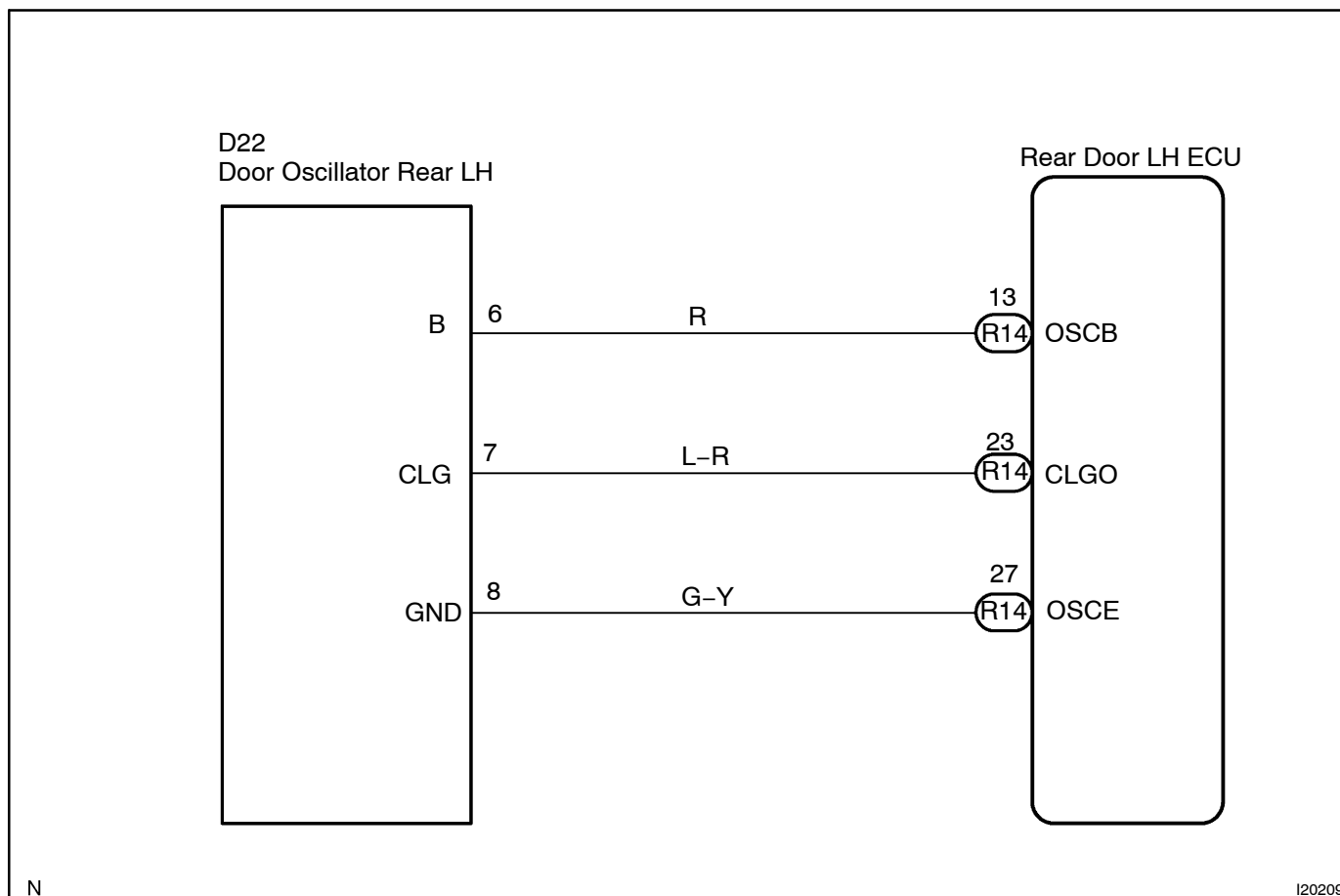
Door Oscillator circuit

CIRCUIT DESCRIPTION

CLGO: The signal from the theft deterrent ECU is sent to this terminal of the oscillator sensor via the rear door LH ECU.

See "Door Electrical Key Oscillator Circuit" on Theft Deterrent System.

WIRING DIAGRAM



INSPECTION PROCEDURE

See "Door Electrical Key Oscillator Circuit" on Theft Deterrent System.