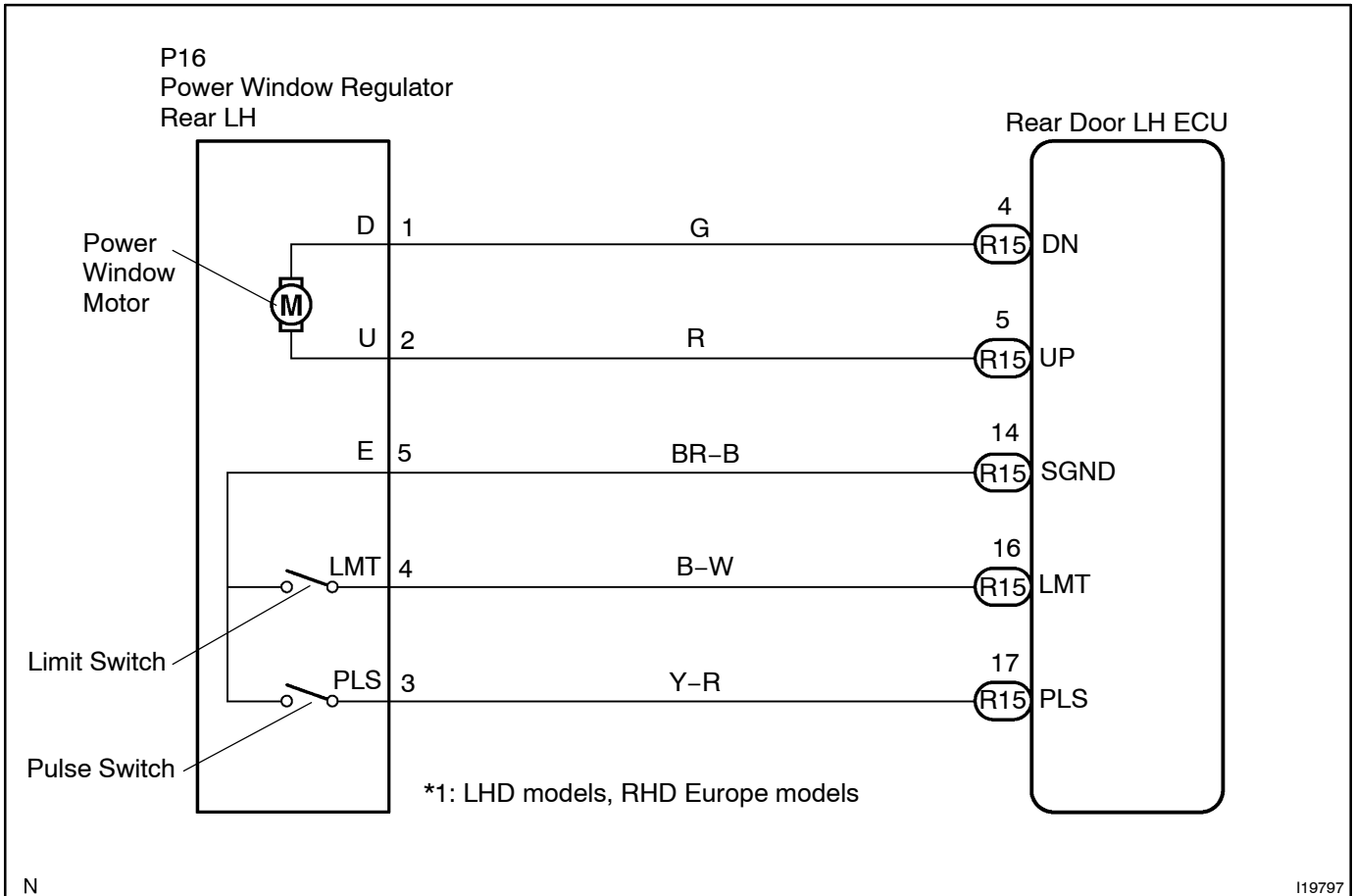


Power window motor circuit

CIRCUIT DESCRIPTION

The rear left door ECU receives the rear left door power window switch signal from the master switch to operate the power window motor.

WIRING DIAGRAM



INSPECTION PROCEDURE**HINT:**

In case of using the LEXUS hand-held tester, start the inspection from step 1 and in case of not using the LEXUS hand-held tester, start from step 2.

1 Check power window motor using LEXUS hand-held tester.

PREPARATION:

Connect the LEXUS hand-held tester to DLC3.

CHECK:

Check that the power window motor can operate in ACTIVE TEST.

OK

Proceed to next circuit inspection shown on problem symptoms table (See page DI-1395).

NG

2 Check power window motor (See page BE-85).

NG

Replace power window motor.

OK

3 Check wireharness and connector between power window motor and rear door LH ECU (See page N-35).

NG

Repair or replace wireharness or connector.

OK

Proceed to next circuit inspection shown on problem symptoms table (See page DI-1395).