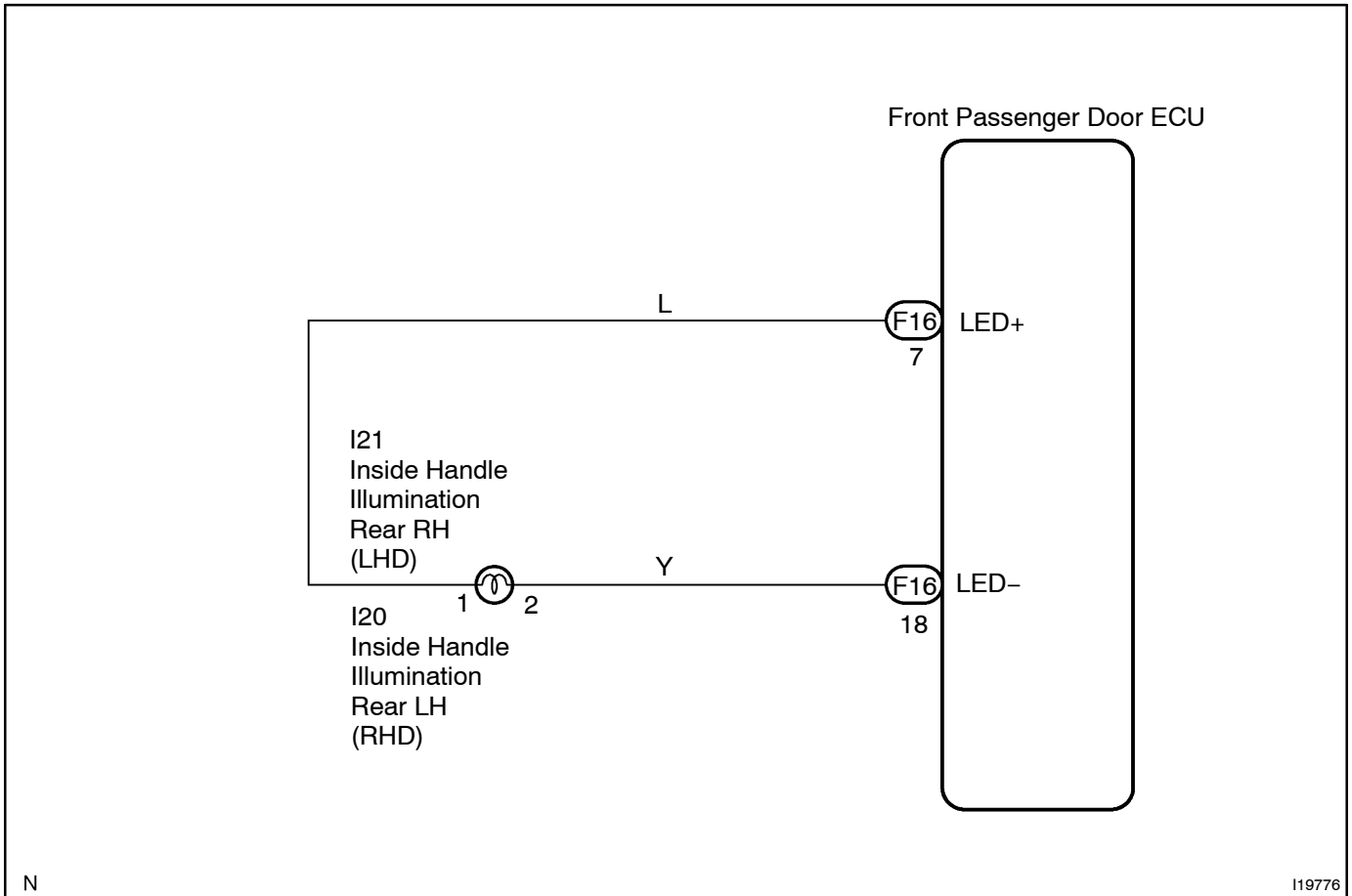


# Inside handle illumination circuit

## CIRCUIT DESCRIPTION

The inside handle illumination goes on when the door is opened and goes off when the door is closed. When the A/T shift lever is in R position, the passenger door ECU lights the inside handle illumination.

## WIRING DIAGRAM



N

I19776

**INSPECTION PROCEDURE****HINT:**

In case of using the LEXUS hand-held tester, start the inspection from step 1 and in case of not using the LEXUS hand-held tester, start from step 2.

**1** Check the inside handle illumination using LEXUS hand-held tester.

**PREPARATION:**

Connect the LEXUS hand-held tester to DLC3.

**CHECK:**

Check that the inside handle illumination can light in ACTIVE TEST.

OK

Proceed to next circuit inspection shown on problem symptom table (See page DI-1271).

NG

**2** Check the inside handle illumination (See page BE-49).

NG

Replace inside handle illumination.

OK

**3** Check wire harness and connector between inside handle illumination and front passenger door ECU (See page IN-35).

NG

Repair or replace wire harness or connector.

OK

Proceed to next circuit inspection shown on problem symptom table (See page DI-1271).