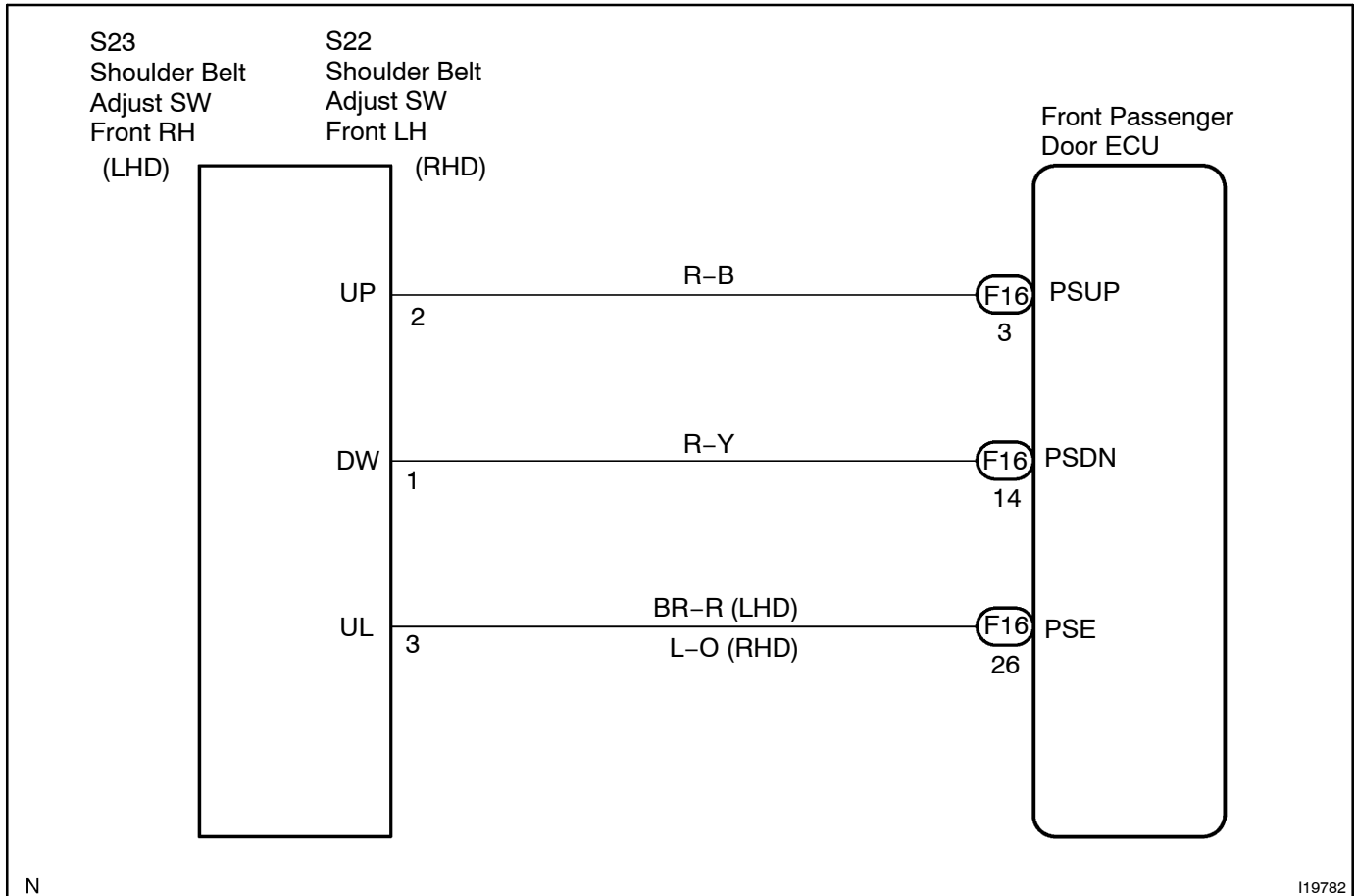


## Shoulder belt adjust switch circuit

### CIRCUIT DESCRIPTION

The passenger door ECU is detects the condition of the shoulder belt adjust switch.

### WIRING DIAGRAM



## INSPECTION PROCEDURE

### HINT:

In case of using the LEXUS hand-held tester, start the inspection from step 1 and in case of not using the LEXUS hand-held tester, start from step 2.

1 Check shoulder belt adjust switch using LEXUS hand-held tester.

### PREPARATION:

Connect the LEXUS hand-held tester to DLC3.

### CHECK:

Check the shoulder belt adjust switch using DATA LIST.

OK

Proceed to next circuit inspection shown on problem symptoms table (See page DI-1271).

NG

2 Check shoulder belt adjust switch (See page BE-148).

NG

Replace shoulder belt adjust switch.

OK

3 Check wireharness and connector between shoulder belt adjust switch and front passenger door ECU (See page IN-35).

NG

Repair or replace wireharness or connector.

OK

Proceed to next circuit inspection shown on problem symptoms table (See page DI-1271).