

Mirror position sensor circuit (w/ Memory)

CIRCUIT DESCRIPTION

The mirror position sensor is built in the outer mirror assembly.

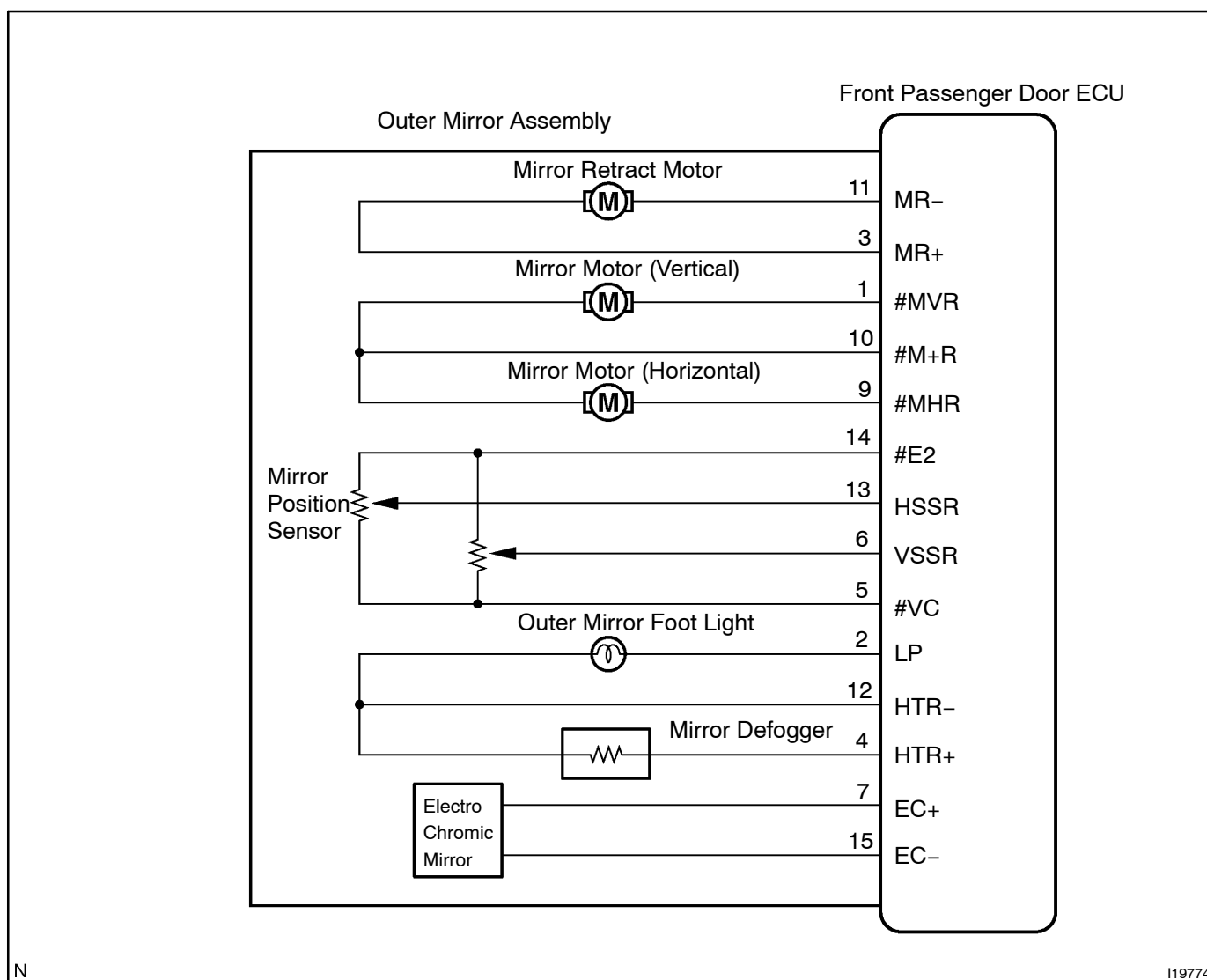
The position detected by the mirror position sensor will be memorized in the seat ECU.

This sensor is equipped in the mirror to operate memory function.

HSSR: horizontal direction & position sensor

VSSR: vertical direction & position sensor

WIRING DIAGRAM



N

I19774

INSPECTION PROCEDURE**HINT:**

In case of using the LEXUS hand-held tester, start the inspection from step 1 and in case of not using the LEXUS hand-held tester, start from step 2.

1 Check mirror position sensor using LEXUS hand-held tester.

PREPARATION:

Connect the LEXUS hand-held tester to DLC3.

CHECK:

Check the voltage of the mirror position sensor using DATA LIST.

OK:

When operating the mirror motor, the voltage value should change smoothly within the range shown below.

Vehicle direction	0.27 - 3.80 (V)
Horizontal direction	0.23 - 4.01 (V)

OK

Proceed to next circuit inspection shown on problem symptoms table (See page DI-1271).

NG

2 Check mirror position sensor (See page BE-143).

NG

Replace mirror assembly.

OK

3 Check wireharness and connector between mirror position sensor and front passenger door ECU (See page IN-35).

NG

Repair or replace wireharness or connector.

OK

Proceed to next circuit inspection shown on problem symptoms table (See page DI-1271).