

Retract motor circuit

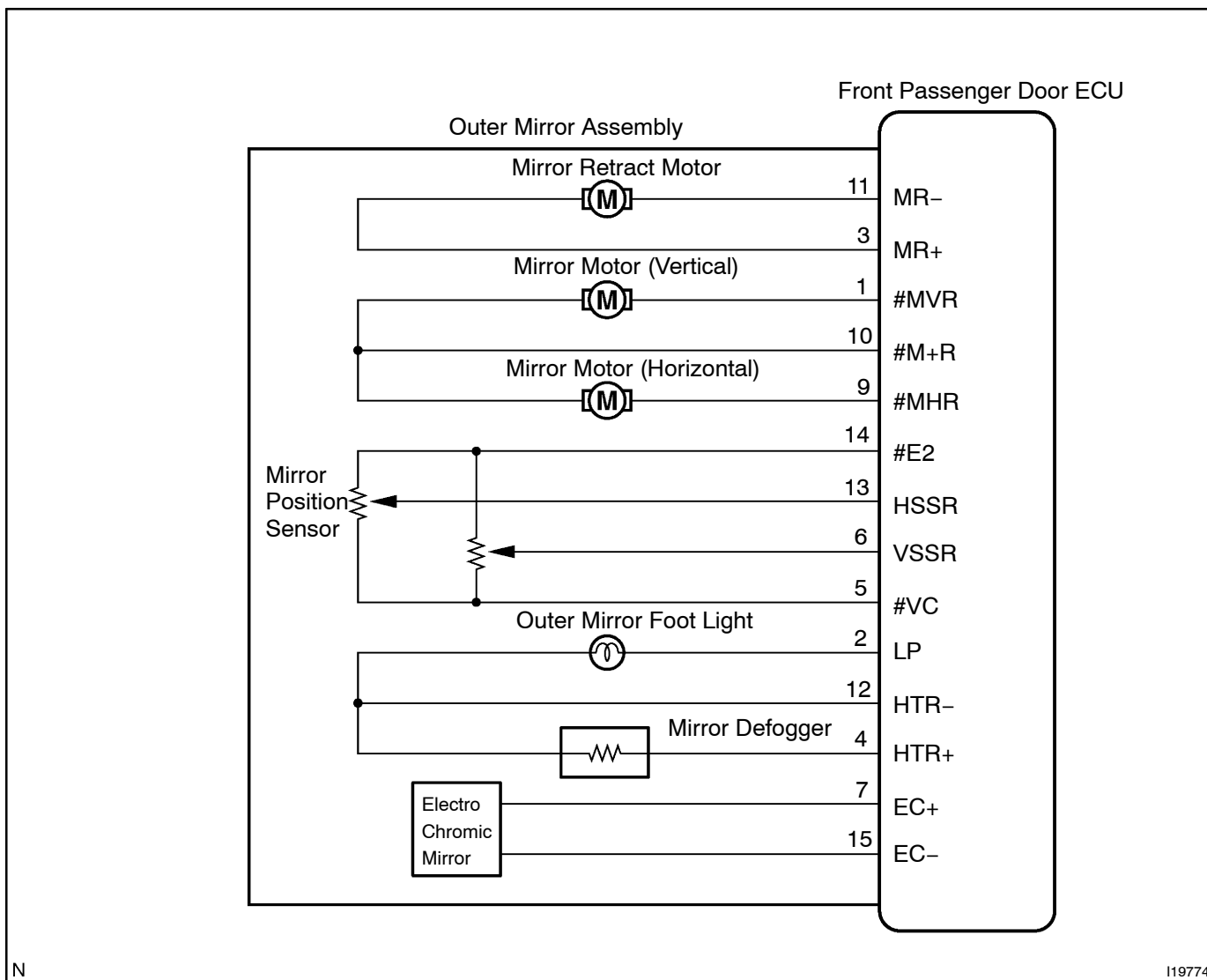
CIRCUIT DESCRIPTION

The retract motor is built in the outer mirror assembly.

When the battery voltage is applied to the terminal as follows, the outer mirror moves accordingly.

Outer mirror position	MR+	MR-
Retract position	12 V	Ground
Driving position	Ground	12 V

WIRING DIAGRAM



N

119774

INSPECTION PROCEDURE**HINT:**

In case of using the LEXUS hand-held tester, start the inspection from step 1 and in case of not using the LEXUS hand-held tester, start from step 2.

1 Check retract motor using LEXUS hand-held tester.

PREPARATION:

Connect the LEXUS hand-held tester to DLC3.

CHECK:

Check that the retract motor can operate in ACTIVE TEST.

OK

Proceed to next circuit inspection shown on problem symptoms table (See page DI-1271).

NG

2 Check retract motor (See page BE-143).

NG

Replace mirror assembly.

OK

3 Check wireharness and connector between retract motor and front passenger door ECU (See page N-35).

NG

Repair or replace wireharness or connector.

OK

Proceed to next circuit inspection shown on problem symptoms table (See page DI-1271).