

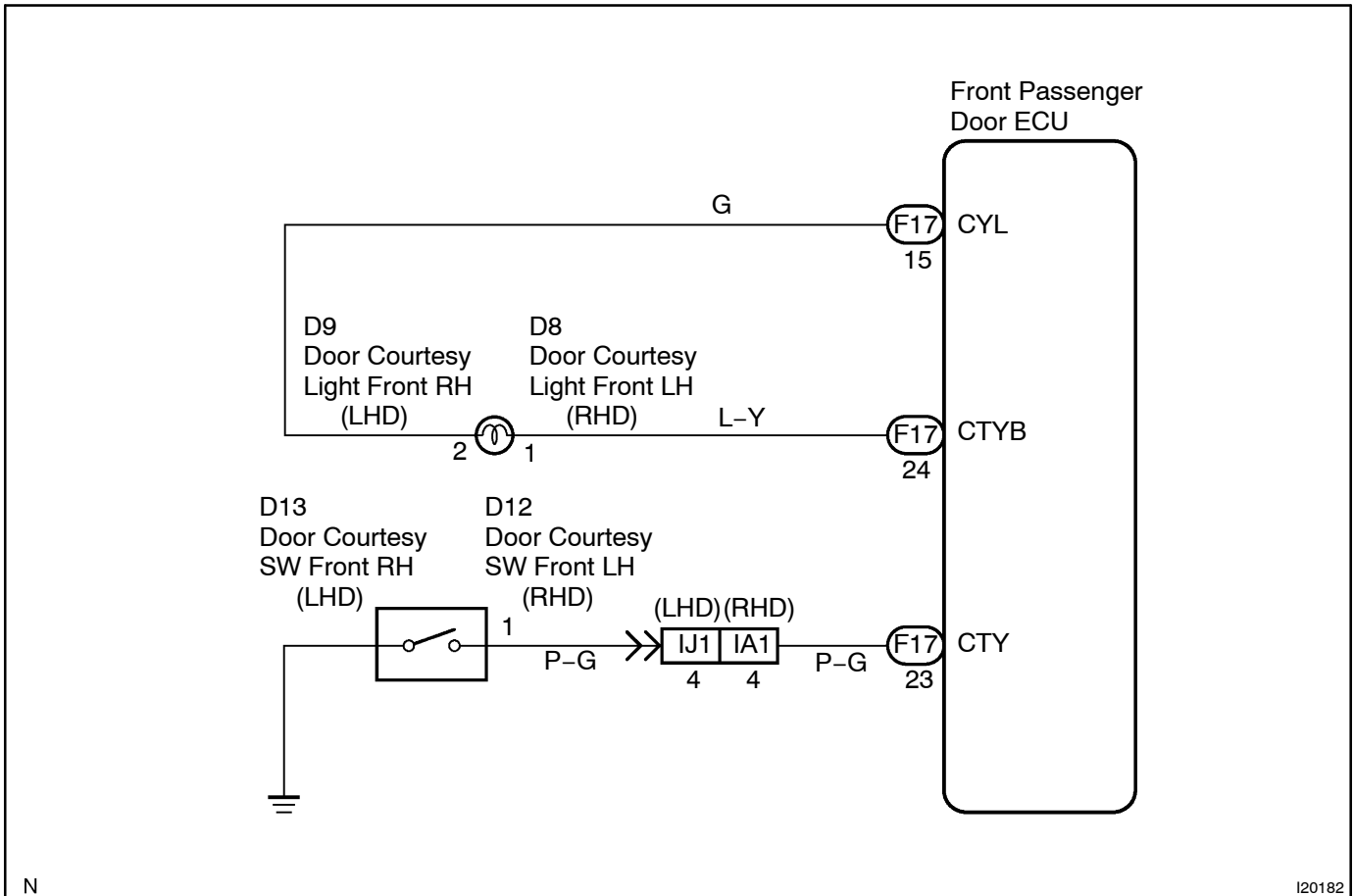
## Door courtesy light and courtesy switch circuit

### CIRCUIT DESCRIPTION

The door courtesy light goes on when the door is opened and goes off when closed.

The passenger door ECU detects the condition of the door courtesy switch and sends a signal to each ECU via the multiplex communication circuit.

### WIRING DIAGRAM



**INSPECTION PROCEDURE****HINT:**

In case of using the LEXUS hand-held tester, start the inspection from step 1 and in case of not using the LEXUS hand-held tester, start from step 2.

**1** Check the door courtesy switch using LEXUS hand-held tester.

**PREPARATION:**

Connect the LEXUS hand-held tester to DLC3.

**CHECK:**

Check the door courtesy switch using DATA LIST.

OK

Proceed to next circuit inspection shown on problem symptoms table (See page DI-1271).

NG

**2** Check operation of door courtesy light.

**CHECK:**

Check that the door courtesy light comes on when a door is opened, and goes off when the door is closed.

**OK:**

Must be operated normally.

OK

Proceed to next circuit inspection shown on problem symptoms table (See page DI-1271).

NG

**3** Check courtesy light (See page BE-52).

NG

Replace courtesy light.

OK

4 Check door courtesy switch (See page BE-52).

NG

Replace door courtesy switch.

OK

5 Check wireharness and connector between courtesy light and front passenger door ECU, and those between courtesy switch and front passenger door ECU (See page IN-35).

NG

Repair or replace wireharness or connector.

OK

Proceed to next circuit inspection shown on problem symptoms table (See page DI-1271).