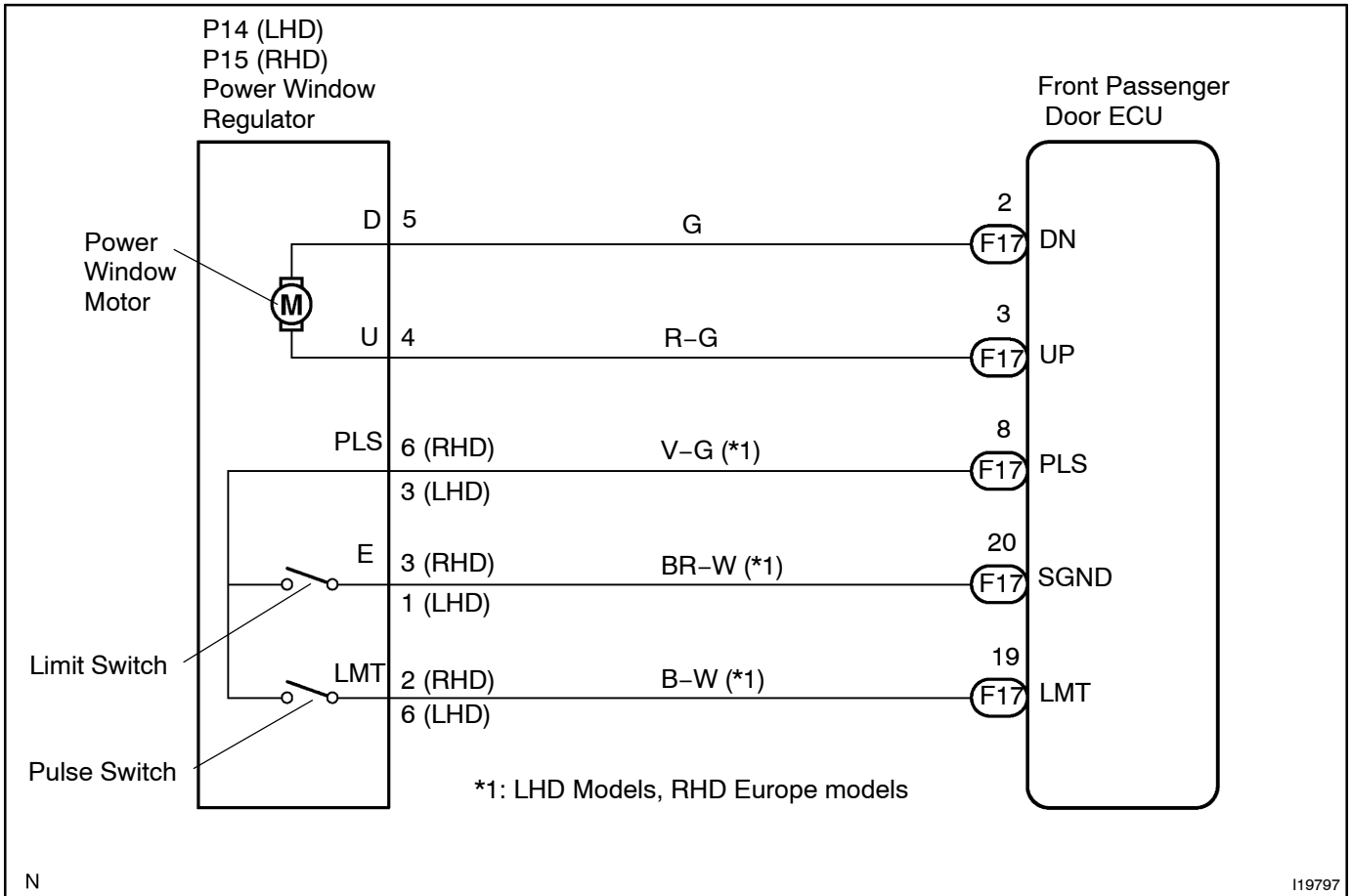


# Power window motor circuit

## CIRCUIT DESCRIPTION

The passenger door ECU receives the passenger door power window switch signal from the master switch to operate the power window motor.

## WIRING DIAGRAM



N

I19797

## INSPECTION PROCEDURE

### HINT:

In case of using the LEXUS hand-held tester, start the inspection from step 1 and in case of not using the LEXUS hand-held tester, start from step 2.

1 Check power window motor using LEXUS hand-held tester.

### PREPARATION:

Connect the LEXUS hand-held tester to DLC3.

### CHECK:

Check that the power window motor can operate in ACTIVE TEST.

OK

Proceed to next circuit inspection shown on problem symptoms table (See page DI-1271).

NG

2 Check power window motor (See page BE-85).

NG

Replace power window motor.

OK

3 Check wireharness and connector between power window motor and front passenger door ECU (See page IN-35).

NG

Repair or replace wireharness or connector.

OK

Proceed to next circuit inspection shown on problem symptoms table (See page DI-1271).