

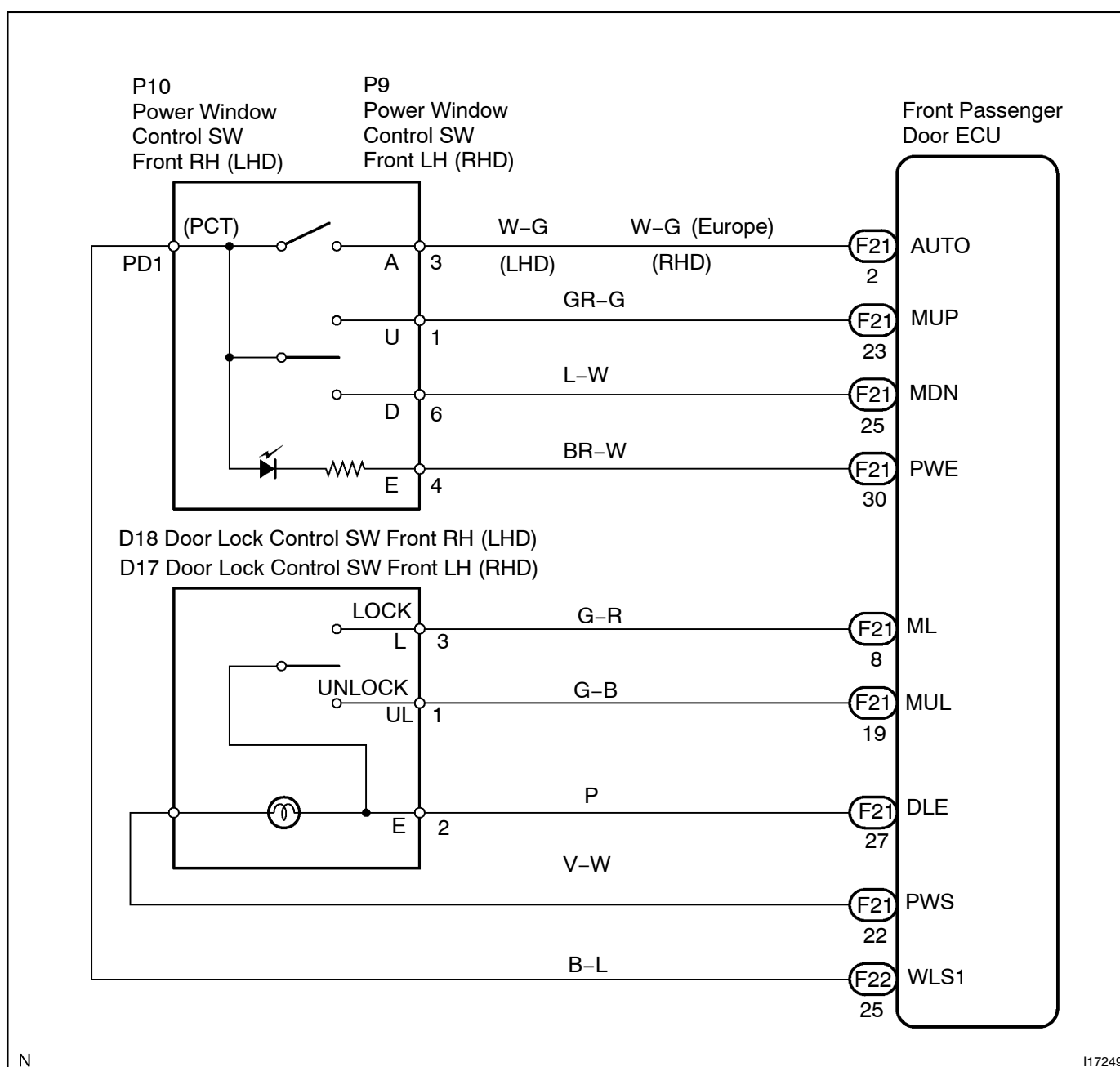
Power window switch and door lock control switch circuit

CIRCUIT DESCRIPTION

Each terminal sends the following information to Passenger door ECU.

Terminal name	Switch name
ML, MUL	Door lock manual switch
AUTO, MUP, MDN	Passenger door power window switch

WIRING DIAGRAM



INSPECTION PROCEDURE

HINT:

In case of using the LEXUS hand-held tester, start the inspection from step 1 and in case of not using the LEXUS hand-held tester, start from step 2.

- | | |
|---|---|
| 1 | Check the power window and door lock manual switch using LEXUS hand-held tester. |
|---|---|

PREPARATION:

Connect the LEXUS hand-held tester to the DLC3.

CHECK:

Check the power window and door lock manual switch using DATA LIST.

OK

Proceed to next circuit inspection shown on problem symptoms table (See page DI-1271).

NG

- | | |
|---|--|
| 2 | Check the power window switch (See page BE-85). |
|---|--|

NG

Replace the power window switch.

OK

- | | |
|---|--|
| 3 | Check the door lock manual switch (See page BE-95). |
|---|--|

NG

Replace the door lock manual switch.

OK

- | | |
|---|---|
| 4 | Check wireharness and connector between power window switch and front passenger door ECU (See page IN-35). |
|---|---|

NG

Repair or replace wireharness or connector.

OK

5 Check wireharness and connector between door lock manual switch and front passenger door ECU (See page IN-35).

NG

Repair or replace wireharness or connector.

OK

Proceed to next circuit inspection shown on problem symptoms table (See page DI-1271).