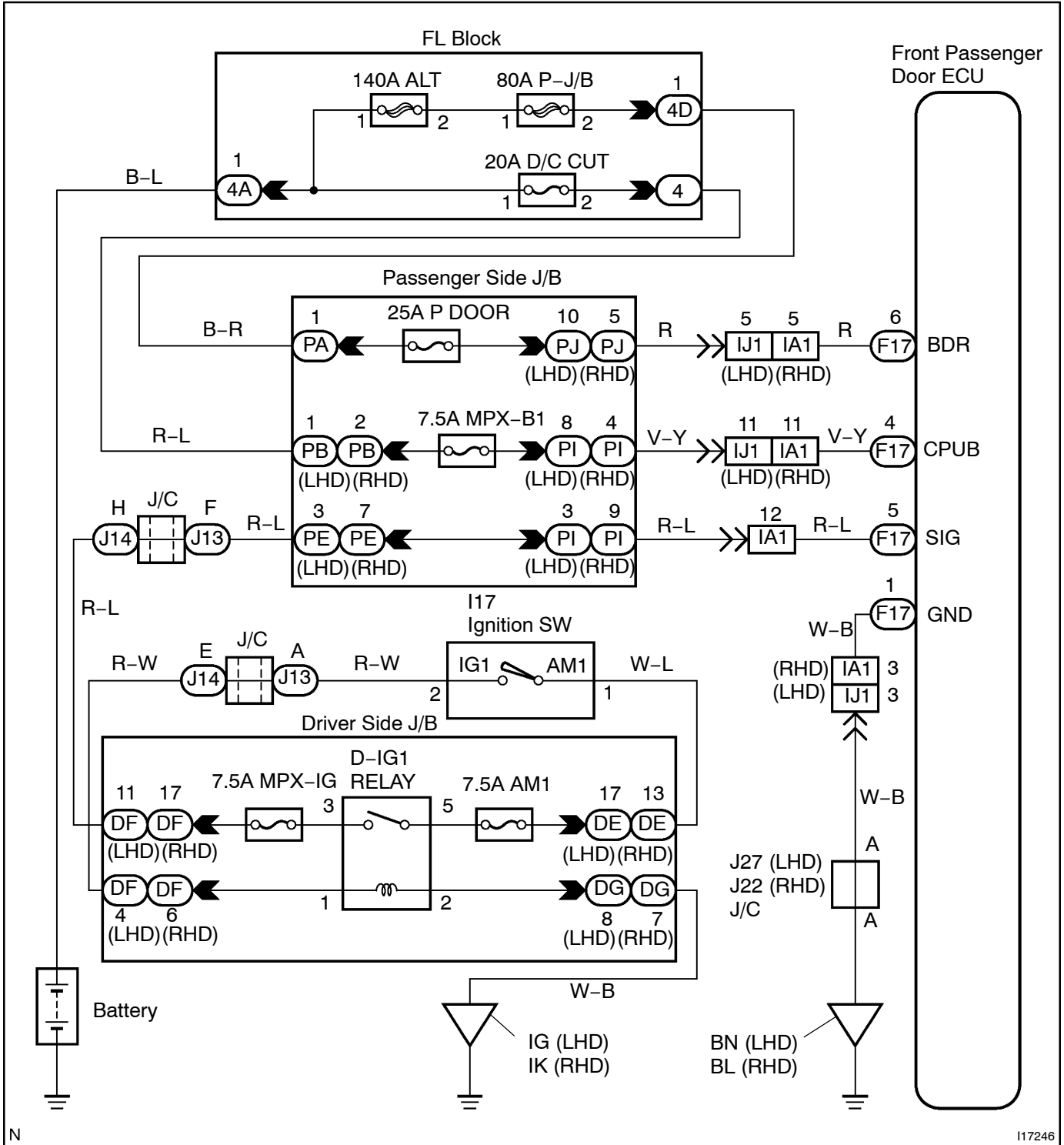


Power source circuit

CIRCUIT DESCRIPTION

This circuit supplies power to operate the front passenger door ECU.

WIRING DIAGRAM



N

117246

INSPECTION PROCEDURE

1	Check MPX-B1, MPX-IG and P DOOR fuse.
---	---------------------------------------

CHECK:

Check continuity of MPX-B1, MPX-IG and P DOOR fuse.

OK:

Continuity

NG

Replace defective fuse.

OK

2	Check voltage between terminals BDR, CPUB, SIG and GND of front passenger door ECU connector.
---	---

PREPARATION:

Turn the ignition switch ON.

CHECK:

Measure the voltage between terminals SIG and GND.

OK:

Voltage: 10 - 14V

PREPARATION:

- (a) Turn the ignition switch OFF.
- (b) Disconnect the front passenger door ECU connector.

CHECK:

Measure the voltage between terminals BDR, CPUB and GND.

OK:

Voltage: 10 - 14V

OK

Proceed to next circuit inspection shown on problem symptoms table (See page DI-1271).

NG

3 Check wireharness and connector between ECU and body ground
(See page IN-35).

NG

Repair or replace wireharness or connector

OK

Proceed to next circuit inspection shown on
problem symptoms table
(See page DI-1271).