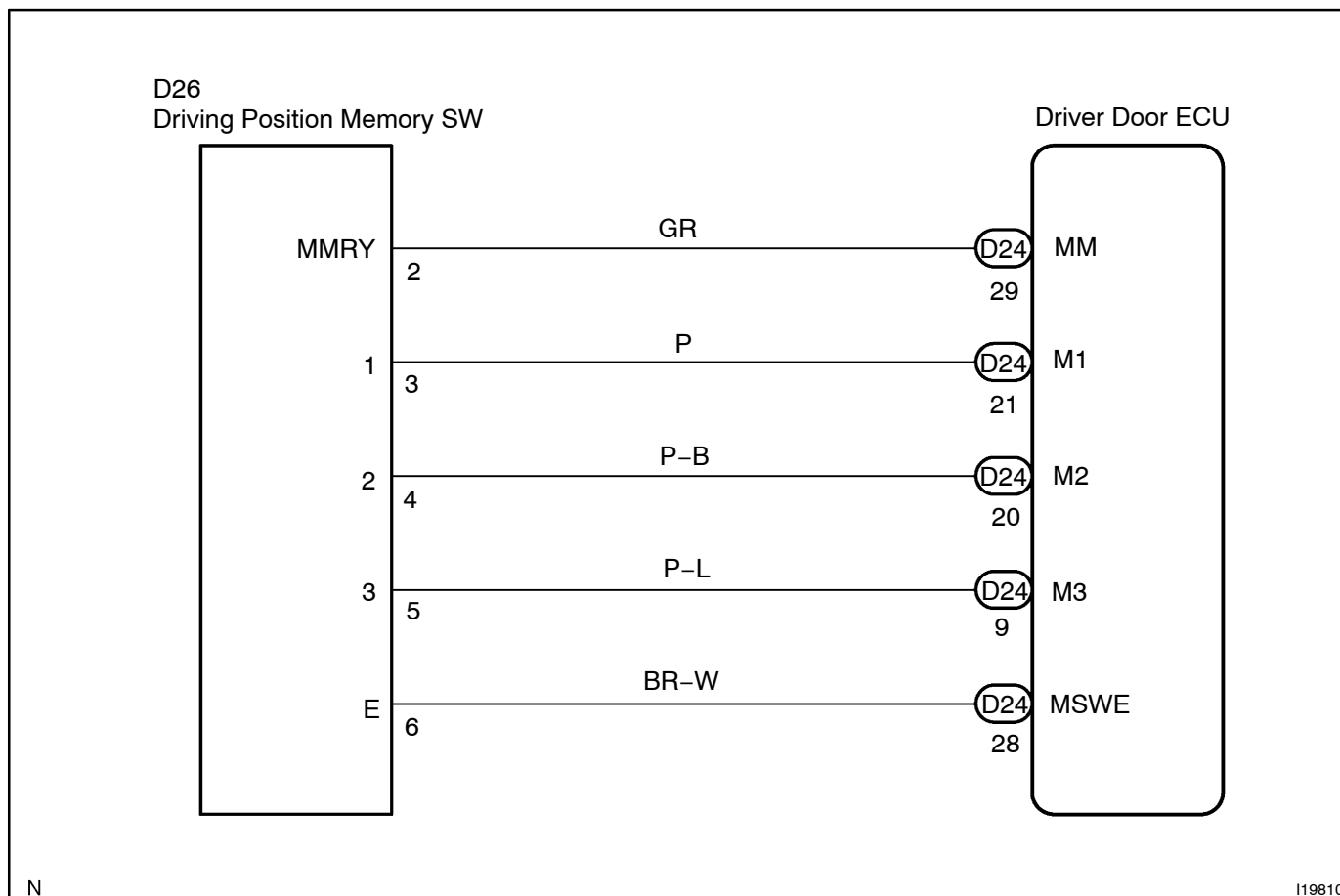


Driving position memory switch circuit (W/ memory)

CIRCUIT DESCRIPTION

The driver door ECU detects the condition of the driving memory switch and sends the information to the power seat ECU and the tilt and telescopic steering ECU via the multiplex communication circuit.

WIRING DIAGRAM



INSPECTION PROCEDURE

1 Check driving position memory switch (See page BE-143).

NG

Replace driving position memory switch.

OK

2 Check wire harness and connector between driving position memory switch and driver door ECU (See page IN-35).

NG

Repair or replace wire harness or connector.

OK

Proceed to next circuit inspection shown on problem symptoms table (See page DI-1197).