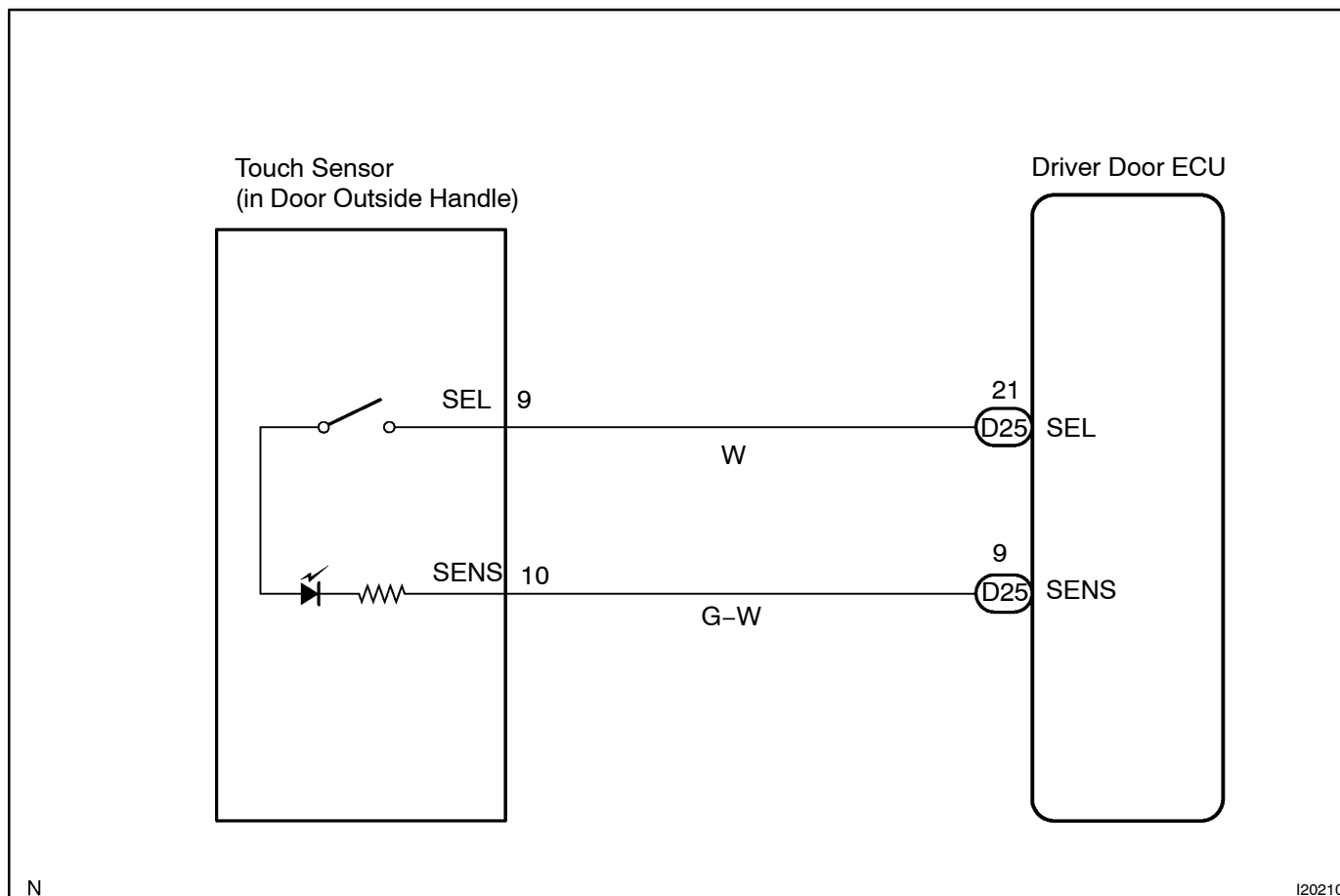


Touch sensor circuit

CIRCUIT DESCRIPTION

SENS: This terminal receives the signal indicating whether or not a touch sensor signal is detected.

WIRING DIAGRAM



INSPECTION PROCEDURE

HINT:

In case of using the LEXUS hand-held tester, start the inspection from step 1 and in case of not using the LEXUS hand-held tester, start from step 2.

1 Check touch sensor using LEXUS hand-held tester.

PREPARATION:

Connect the LEXUS hand-held tester to DLC3.

CHECK:

- (a) Check the touch sensor using DATA LIST.
- (b) During the check with LEXUS hand-held tester, touching the outside handle turns the touch sensor ON. (The sensor is turned ON only at the moment of touching.)

HINT:

At this time, every touching the outside handle unlocks the door.

OK

Proceed to next circuit inspection shown on problem symptoms table (See page DI-1197).

NG

2 Check wire harness and connector between touch sensor and driver door ECU (See page IN-35).

NG

Replace outside handle.

OK

Proceed to next circuit inspection shown on problem symptoms table (See page DI-1197).