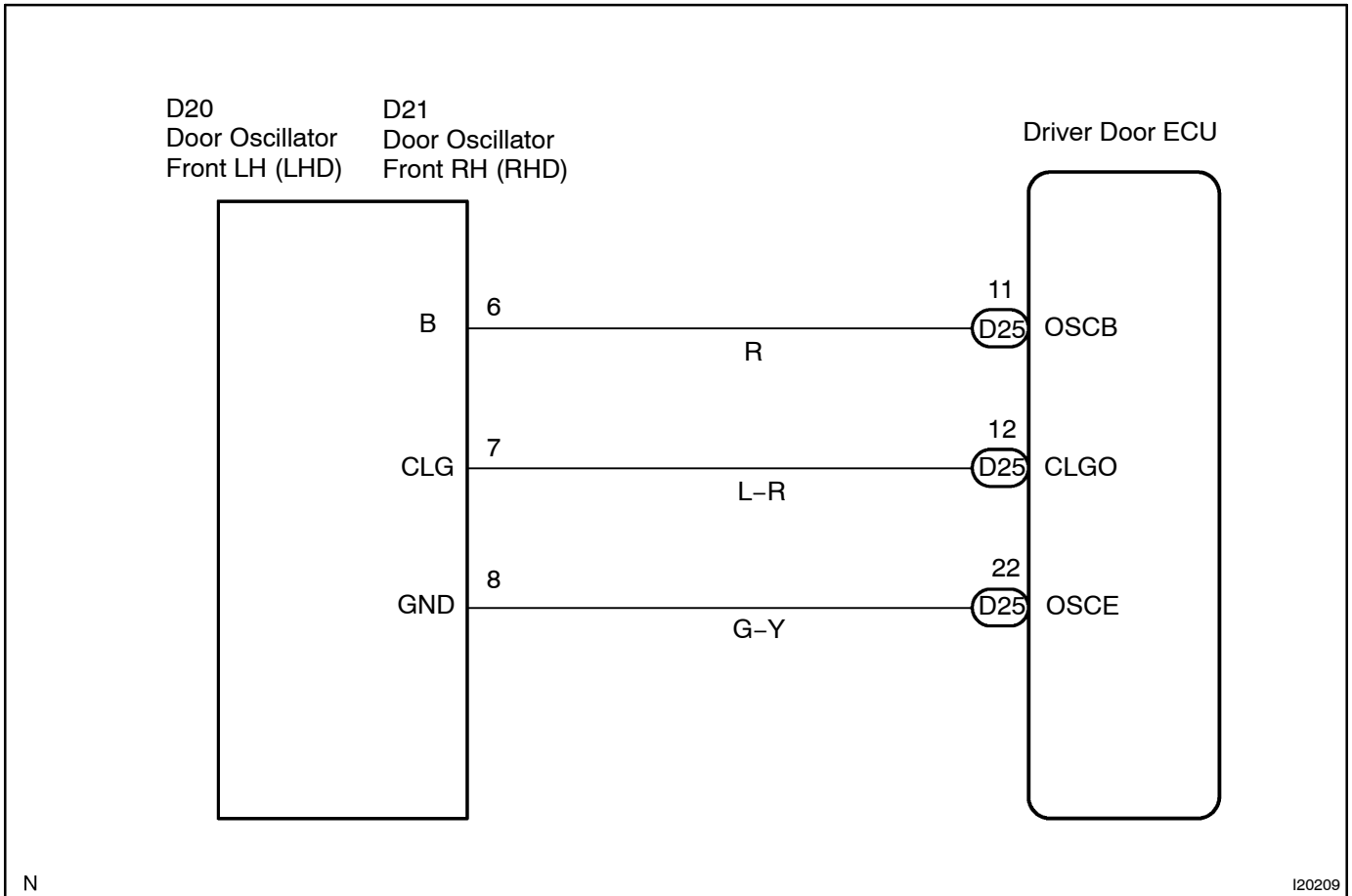


# Door Oscillator circuit

## CIRCUIT DESCRIPTION

CLGO: The signal from the theft deterrent ECU is sent to this terminal of the oscillator sensor via the door ECU. See "Door Electrical Key Oscillator Circuit" on Theft Deterrent System.

## WIRING DIAGRAM



N

I20209

## INSPECTION PROCEDURE

See "Door Electrical Key Oscillator Circuit" on Theft Deterrent System.