

Outer foot light circuit

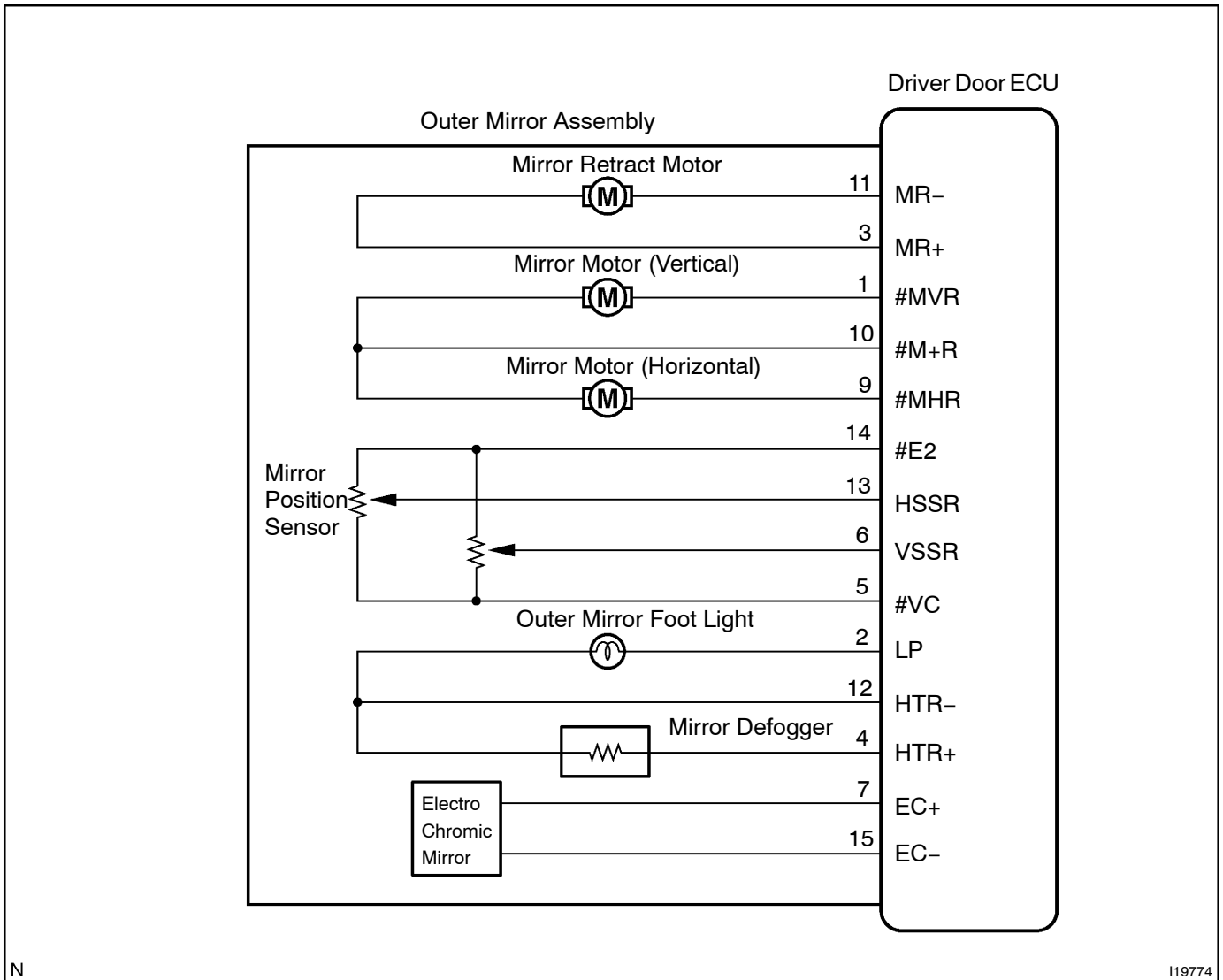
CIRCUIT DESCRIPTION

The outer foot light is built in the outer mirror assembly.

When the battery voltage is supplied to the terminal as follows, the outer foot light functions accordingly.

Outer foot light	LP	HTR-
ON	12V	Ground
OFF	Open	Ground

WIRING DIAGRAM



INSPECTION PROCEDURE

HINT:

In case of using the LEXUS hand-held tester, start the inspection from step 1 and in case of not using the LEXUS hand-held tester, start from step 2.

1 Check outer foot light using LEXUS hand-held tester.

PREPARATION:

Connect the LEXUS hand-held tester to DLC3.

CHECK:

Check that the outer foot light can light in ACTIVE TEST.

OK

Proceed to next circuit inspection shown on problem symptom table (See page DI-1197).

NG

2 Check outer foot light (See page BE-52).

NG

Replace outer foot light.

OK

3 Check wire harness and connector between outer foot light and driver door ECU (See page IN-35).

NG

Repair or replace wire harness or connector.

OK

Proceed to next circuit inspection shown on problem symptom table (See page DI-1197).