

## Mirror position sensor circuit (W/ memory )

### CIRCUIT DESCRIPTION

This mirror position sensor is built in the outer mirror assembly.

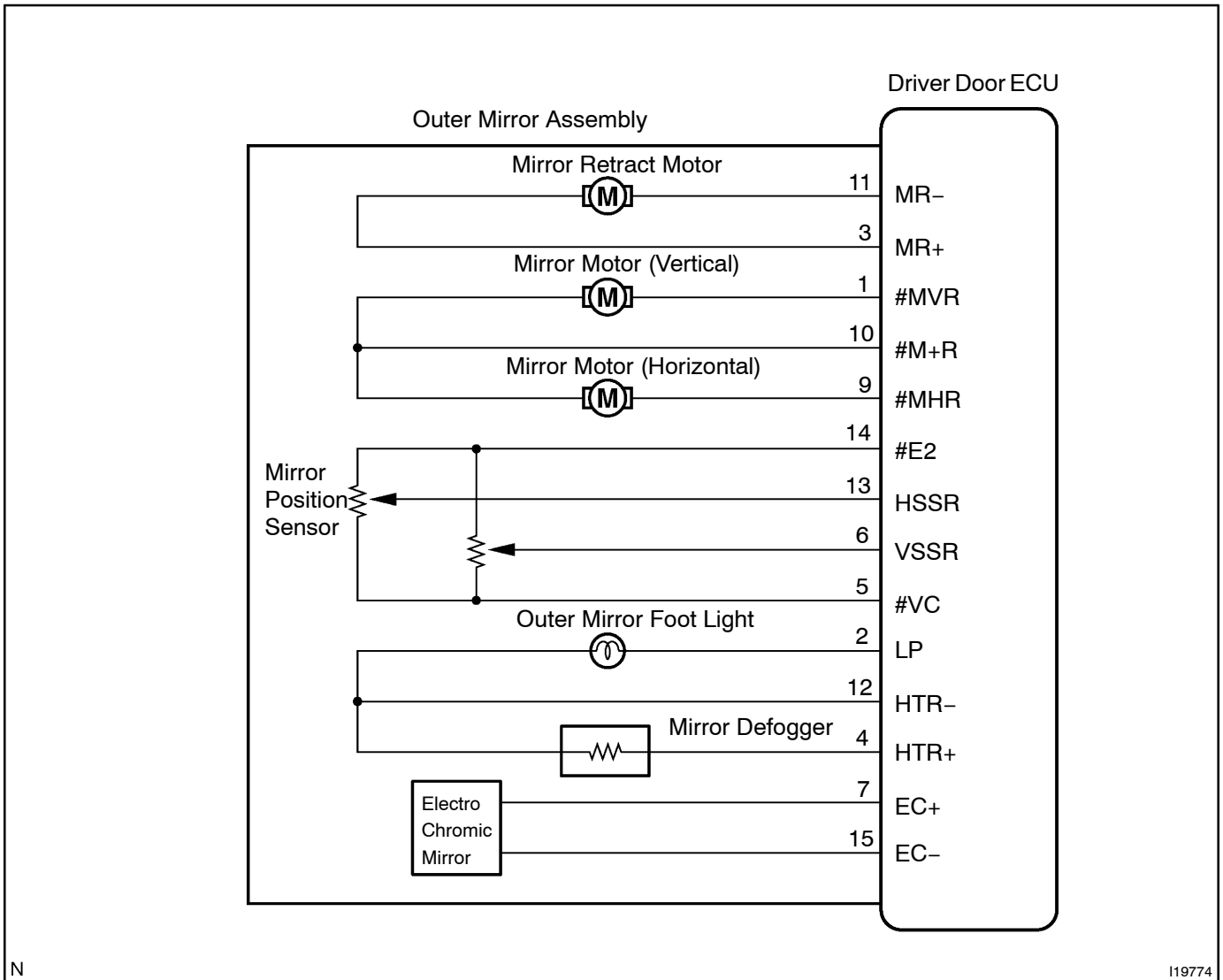
The position detected by the mirror position detection sensor will be memorized in the seat ECU.

This sensor is equipped in the mirror to operate the memory function.

HSSR: horizontal direction & position sensor

VSSR: vertical direction & position sensor

### WIRING DIAGRAM



N

I19774

**INSPECTION PROCEDURE**

HINT:

In case of using the LEXUS hand-held tester, start the inspection from step 1 and in case of not using the LEXUS hand-held tester, start from step 2.

**1** Check mirror position sensor using LEXUS hand-held tester.

**PREPARATION:**

Connect the LEXUS hand-held tester to DLC3.

**CHECK:**

Check the voltage of the mirror position sensor using DATA LIST.

**OK:**

When operating the mirror motor, the voltage value should change slowly within the range shown below.

Vertical direction	0.27 - 3.80 (V)
Horizontal direction	0.23 - 4.01 (V)

OK

Proceed to next circuit inspection shown on problem symptoms table (See page DI-1197).

NG

**2** Check mirror position sensor (See page BE-143).

NG

Replace mirror assembly.

OK

**3** Check wire harness and connector between mirror position sensor and driver door ECU (See page IN-35).

NG

Repair or replace wire harness or connector.

OK

Proceed to next circuit inspection shown on problem symptoms table (See page DI-1197).