

# Mirror defogger circuit

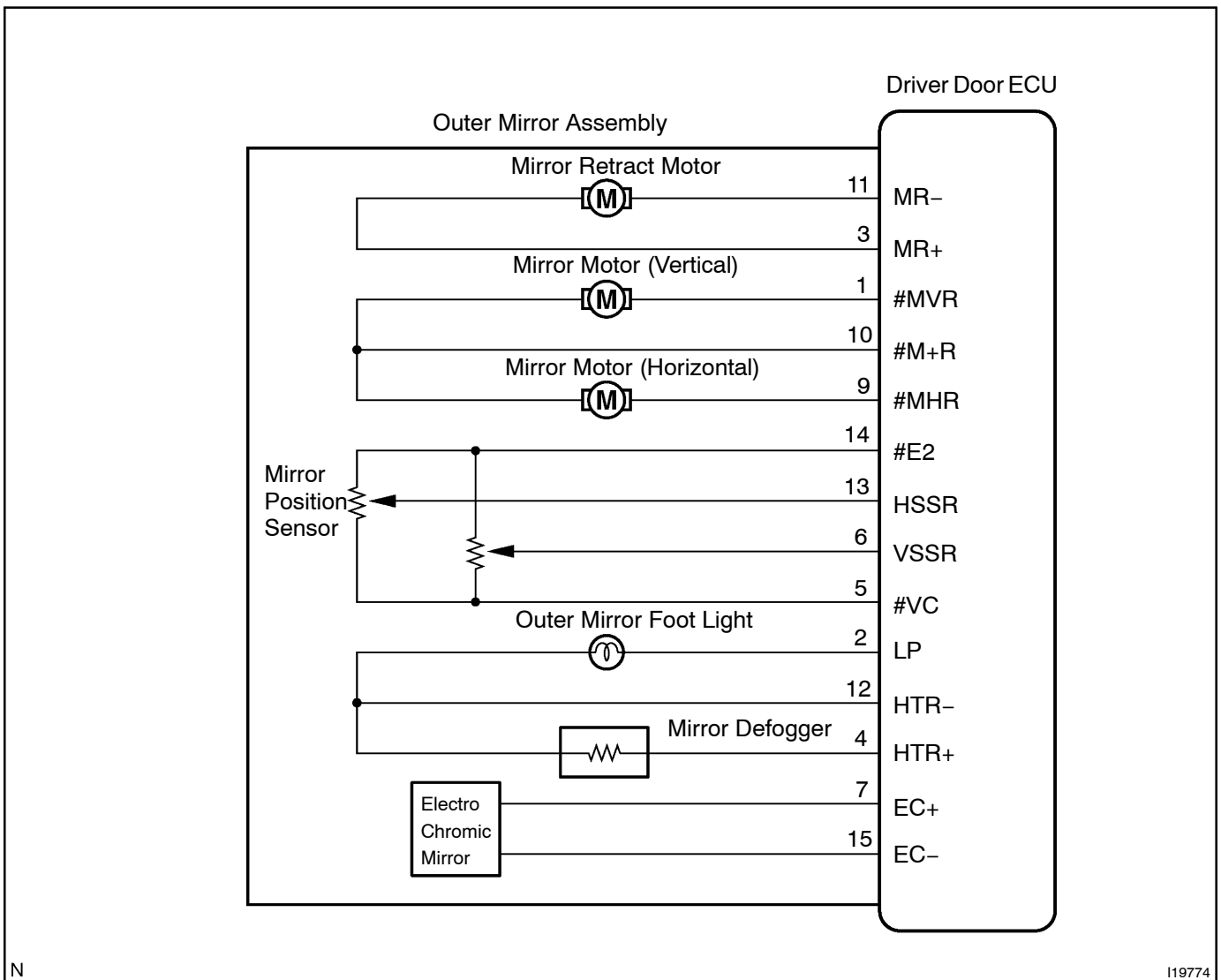
## CIRCUIT DESCRIPTION

The Driver Door ECU receives signals from the defogger switch, the wiper switch and the rain sensor to operate the mirror heater.

When the battery voltage is supplied to the terminal as follows, the mirror heater functions accordingly.

|                             |      |        |
|-----------------------------|------|--------|
| Outer mirror position       | HTR+ | HTR-   |
| Mirror heater operating     | 12V  | Ground |
| Mirror heater not operating | Open | 12V    |

## WIRING DIAGRAM



N

I19774

## INSPECTION PROCEDURE

### HINT:

In case of using the LEXUS hand-held tester, start the inspection from step 1 and in case of not using the LEXUS hand-held tester, start from step 2.

1 Check mirror defogger using LEXUS hand-held tester.

### PREPARATION:

Connect the LEXUS hand-held tester to DLC3.

### CHECK:

Check that the mirror defogger can operate in ACTIVE TEST.

OK

Proceed to next circuit inspection shown on problem symptoms table (See page DI-1197).

NG

2 Check mirror defogger (See page BE-82).

NG

Replace mirror assembly.

OK

3 Check wire harness and connector between mirror defogger and driver door ECU (See page IN-35).

NG

Repair or replace wire harness or connector.

OK

Proceed to next circuit inspection shown on problem symptoms table (See page DI-1197).