

## Mirror motor circuit

### CIRCUIT DESCRIPTION

The mirror motor is built in the outer mirror assembly.

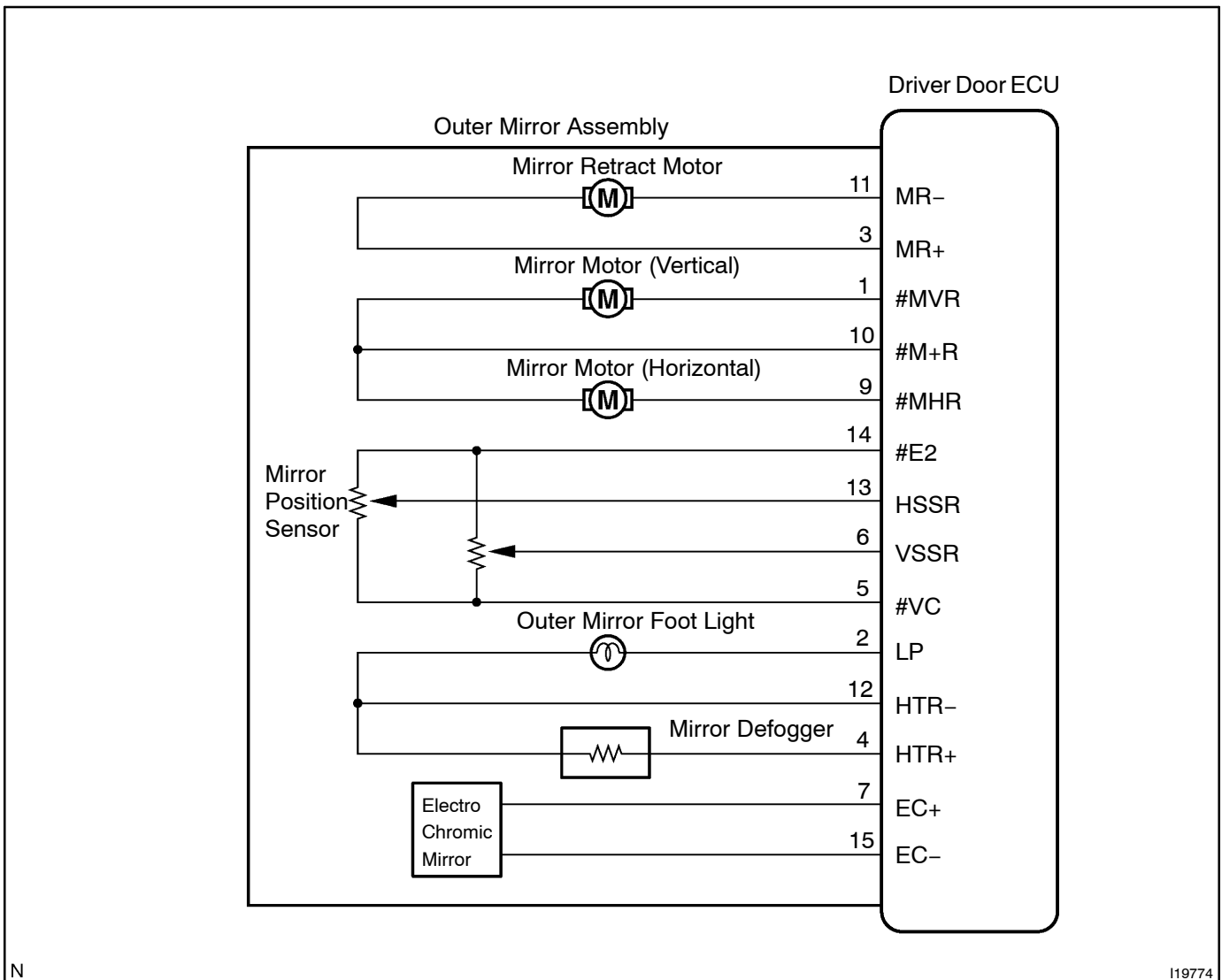
When the battery voltage is supplied to the terminal as follows, the outer mirror moves accordingly.

Outer mirror position	M+R	MHR	MVR
UP	Ground	Ground	12V
DOWN	12V	12V	Ground
LEFT	Ground	12V	Ground
RIGHT	12V	Ground	12V

When the R position of the A/T shift lever is detected, the driver side outer mirror moves 3 degrees downward, and the passenger side outer mirror moves 3.5 degrees downward.

When any other position except for R is detected, it is returned to the former position.

### WIRING DIAGRAM



N

I19774

## INSPECTION PROCEDURE

### HINT:

In case of using the LEXUS hand-held tester, start the inspection from step 1 and in case of not using the LEXUS hand-held tester, start from step 2.

1 Check mirror motor using LEXUS hand-held tester.

### PREPARATION:

Connect the LEXUS hand-held tester to DLC3.

### CHECK:

Check that the mirror motor can operate in ACTIVE TEST.

OK

Proceed to next circuit inspection shown on problem symptoms table (See page DI-1197).

NG

2 Check mirror motor (See page BE-143).

NG

Replace mirror assembly.

OK

3 Check wire harness and connector between mirror motor and driver door ECU (See page IN-35).

NG

Repair or replace wire harness or connector.

OK

Proceed to next circuit inspection shown on problem symptoms table (See page DI-1197).