

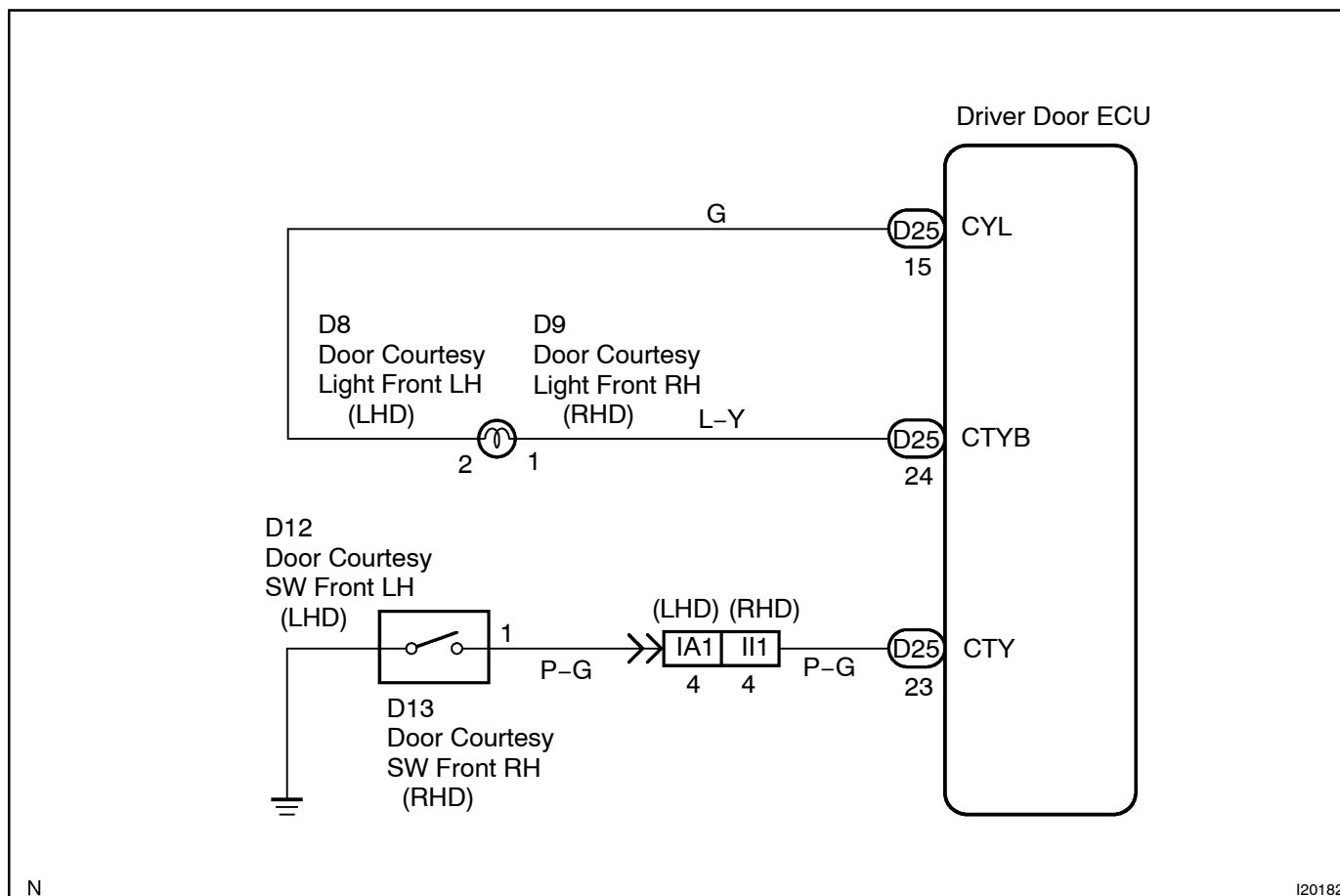
Door courtesy light and courtesy switch circuit

CIRCUIT DESCRIPTION

The door courtesy light goes on when the door is opened and goes off when closed.

The driver door ECU detects the condition of the door courtesy switch and sends a signal to each ECU via the multiplex communication circuit.

WIRING DIAGRAM



N

I20182

INSPECTION PROCEDURE

HINT:

In case of using the LEXUS hand-held tester, start the inspection from step 1 and in case of not using the LEXUS hand-held tester, start from step 2.

1 Check door courtesy switch using LEXUS hand-held tester.

PREPARATION:

Connect the LEXUS hand-held tester to DLC3.

CHECK:

Check the door courtesy switch using DATA LIST.

OK

Proceed to next circuit inspection shown on problem symptoms table (See page DI-1197).

NG

2 Check operation of door courtesy light.

CHECK:

Check that the door courtesy light comes on when the door is open, and goes off when closed.

OK:

Must be operated normally.

OK

Proceed to next circuit inspection shown on problem symptoms table (See page DI-1197).

3 Check courtesy light (See page BE-52).

NG

Replace courtesy light.

OK

4 Check courtesy switch (See page BE-52).

NG

Replace courtesy switch.

OK

5 Check wire harness and connector between courtesy light and driver door ECU, and those between courtesy switch and driver door ECU (See page IN-35).

NG

Repair or replace wire harness or connector.

OK

Proceed to next circuit inspection shown on problem symptoms table (See page DI-1197).