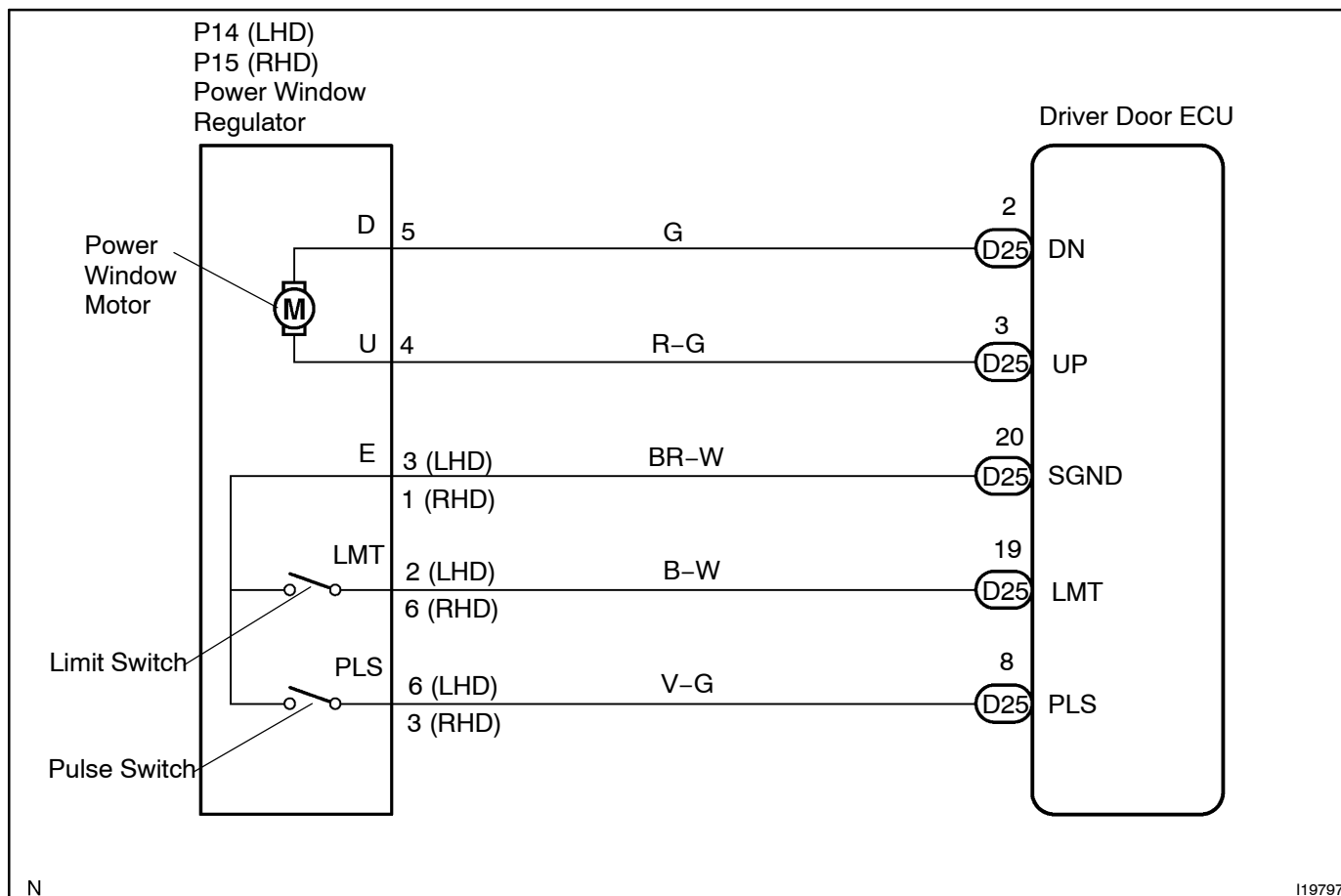


# Power window motor circuit

## CIRCUIT DESCRIPTION

The Driver Door ECU receives the driver door power window switch signal from the master switch to operate the power window motor.

## WIRING DIAGRAM



**INSPECTION PROCEDURE****HINT:**

In case of using the LEXUS hand-held tester, start the inspection from step 1 and in case of not using the LEXUS hand-held tester, start from step 2.

**1** Check power window motor using LEXUS hand-held tester.

**PREPARATION:**

Connect the LEXUS hand-held tester to DLC3.

**CHECK:**

Check that the power window motor can operate in ACTIVE TEST.

OK

Proceed to next circuit inspection shown on problem symptoms table (See page DI-1197).

NG

**2** Check power window motor (See page BE-85).

NG

Replace power window motor.

OK

**3** Check wire harness and connector between power window motor and driver door ECU (See page IN-35).

NG

Repair or replace wire harness or connector.

OK

Proceed to next circuit inspection shown on problem symptoms table (See page DI-1197).