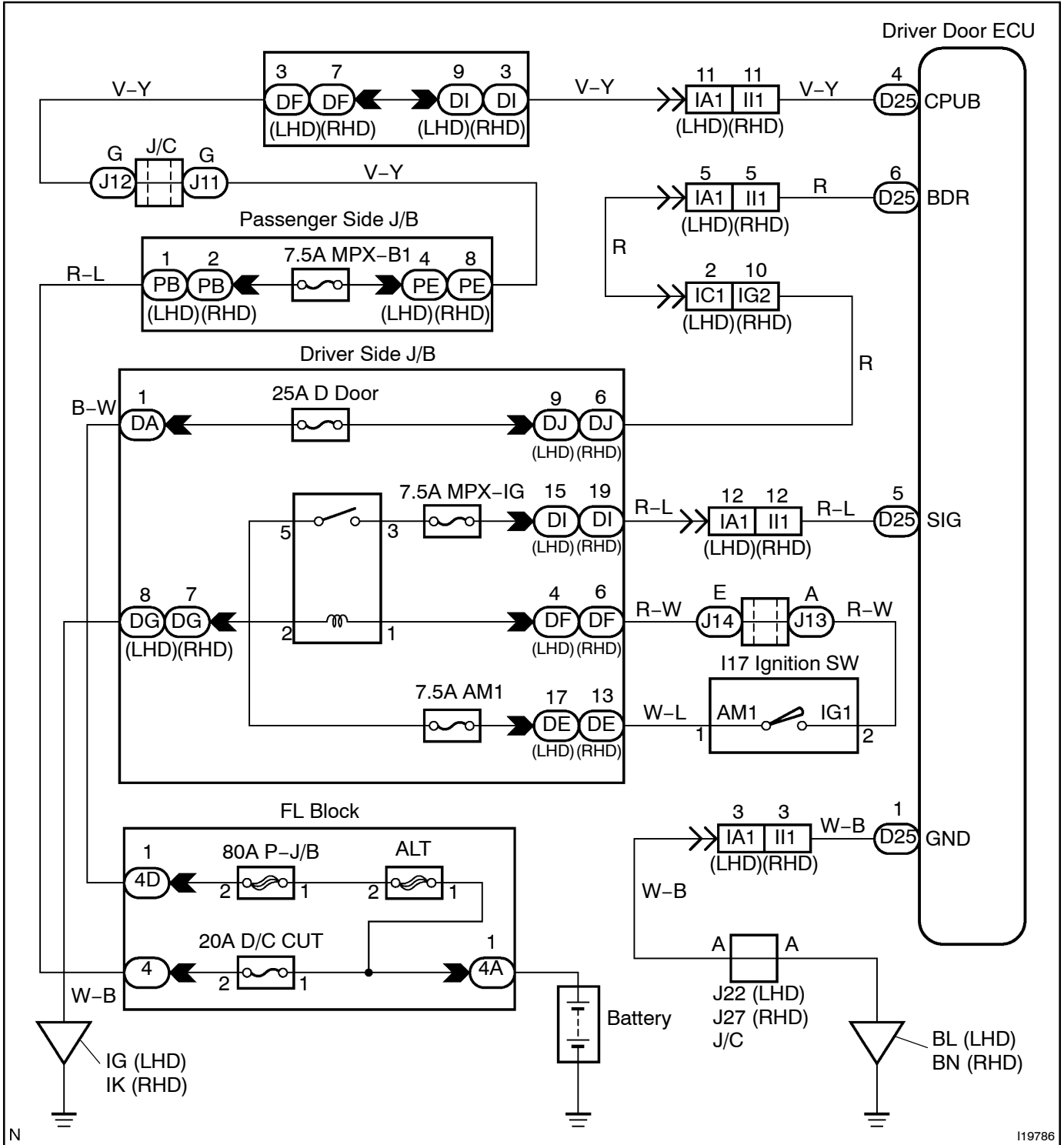


Power source circuit

CIRCUIT DESCRIPTION

This circuit supplies power to operate the driver door ECU.

WIRING DIAGRAM



INSPECTION PROCEDURE

1	Check MPX-B1, MPX-IG and DOOR fuse.
---	-------------------------------------

CHECK:

Check continuity of MPX-B1, MPX-IG and DOOR fuse.

OK:

Continuity

NG

Replace faulty fuse.

OK

2	Check voltage between terminals BDR, CPUB, SIG and GND of driver door ECU connector.
---	--

PREPARATION:

Turn the ignition switch ON.

CHECK:

Measure the voltage between terminals SIG and GND.

OK:

Voltage: 10 – 14V

PREPARATION:

- (a) Turn the ignition switch OFF.
- (b) Disconnect the driver door ECU connector.

CHECK:

Measure the voltage between terminals BDR, CPUB and GND.

OK:

Voltage: 10 – 14V

OK

Proceed to next circuit inspection shown on problem symptoms table (See page DI-1197).

NG

3 Check wire harness and connector between ECU and body ground (See page IN-35).

NG

Repair or replace wire harness or connector.

OK

Proceed to next circuit inspection shown on problem symptoms table (See page DI-1197).