

<b>DTC</b>	<b>B1232</b>	<b>Jam protection pulse switch circuit on driver door</b>
------------	--------------	---

## CIRCUIT DESCRIPTION

This DTC is output when failure of the jam protection pulse switch circuit is detected.

The jam protection pulse switch is built in the power window motor.

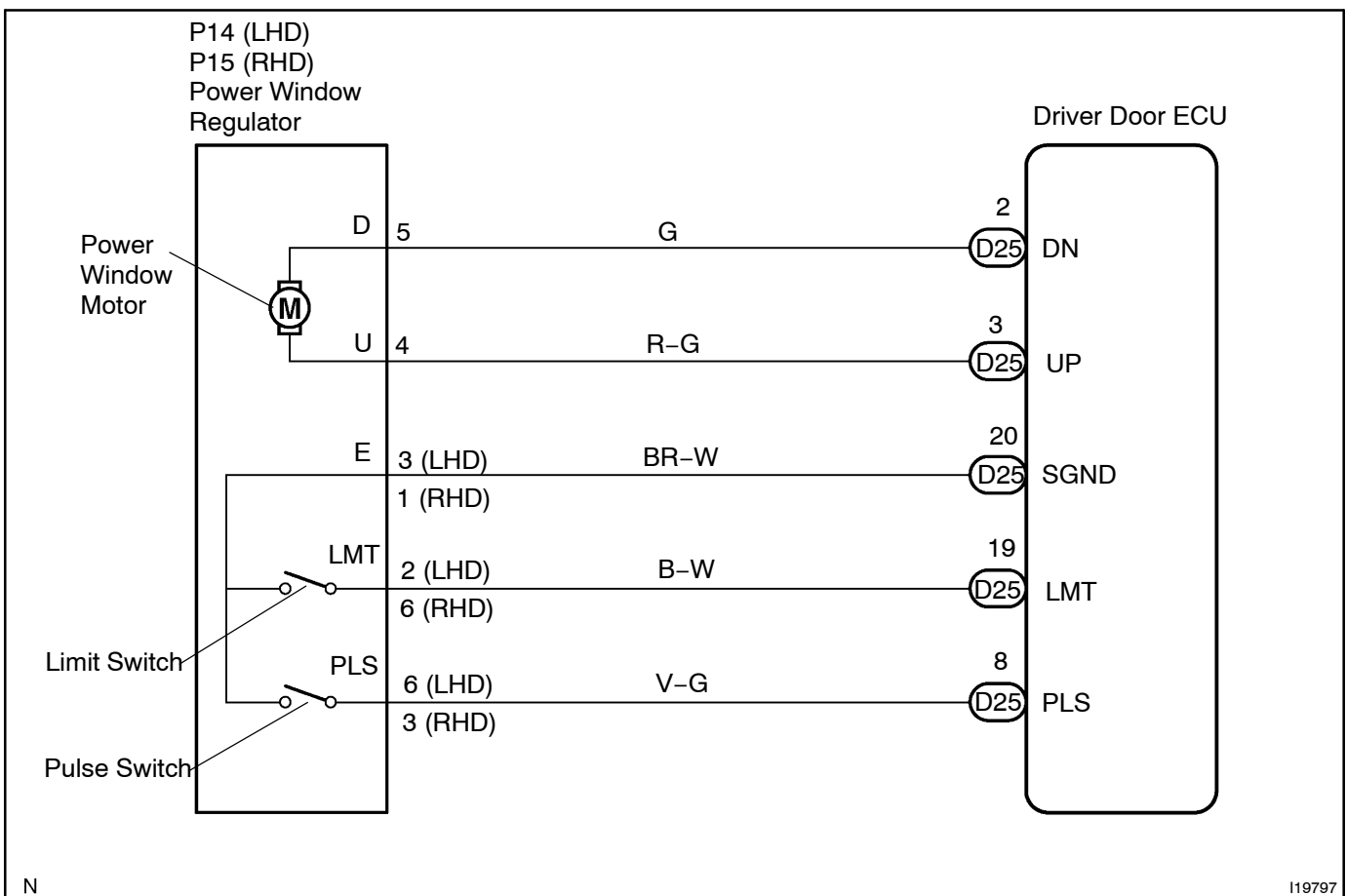
The pulse switch outputs ON/OFF pulse when the motor rotates.

DTC No.	DTC Detecting Condition	Trouble Area
B1232	No change in pulse switch more than 2.0 seconds even if opening glass down when limit switch is OFF (window glass is fully closed).	<ul style="list-style-type: none"> <li>• Jam protection pulse switch</li> <li>• Wire harness</li> </ul>

### HINT:

When the power window is operated UP or DOWN to detect the 30 cycle or more of the ON-OFF pulse, this DTC is cleared.

## WIRING DIAGRAM



## INSPECTION PROCEDURE

1 Whether or not this DTC is cleared when the power window is moved from fully-closed to fully-opened condition.

Yes

It is suspected that the DTC was detected by ECU with any failure in the past.

No

2 Check jam protection pulse switch (See page BE-85).

NG

Replace power window motor.

OK

3 Check wire harness and connector between jam protection pulse switch and driver door ECU (See page IN-35).

NG

Repair or replace wire harness or connector.

OK

Replace driver door ECU (See page IN-35).