

DTC	B1231	Jam protection limit switch circuit on driver door
------------	--------------	---

CIRCUIT DESCRIPTION

This DTC is output when failure of the jam protection limit switch circuit is detected.

The jam protection limit switch is built in the power window motor.

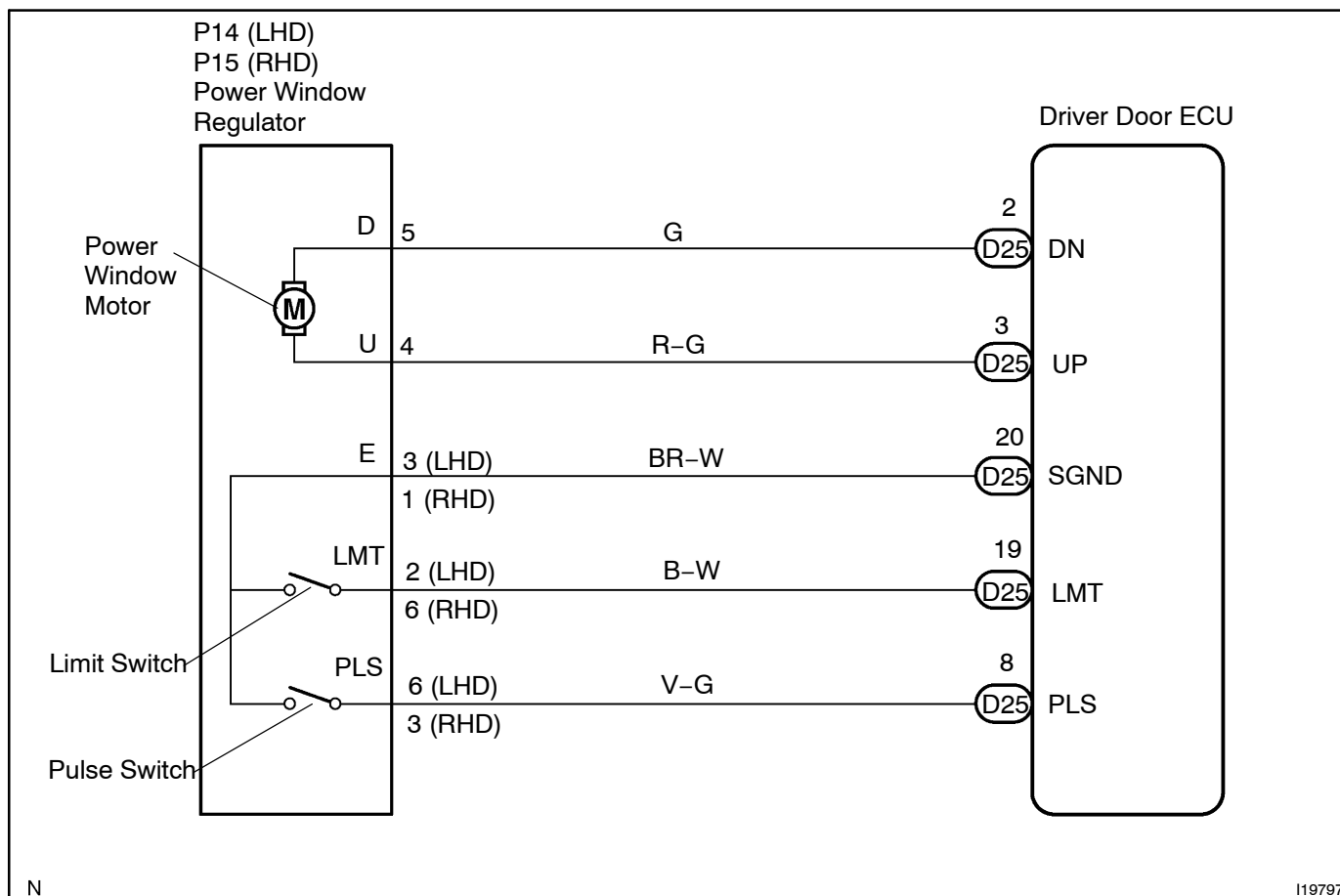
This switch is OFF when the window stays between the fully closed position and 4 mm under the full-closed position, and Driver Door ECU reads this signal.

DTC No.	DTC Detection Condition	Trouble Area
B1231	No change in limit switch more than 2.0 seconds even if operating glass down when limit switch is OFF (window glass is fully closed)	<ul style="list-style-type: none"> Jam protection limit switch Wire harness

HINT:

When the door ECU detects the condition that the power window is lowered to turn the limit switch from OFF to ON, this DTC is cleared.

WIRING DIAGRAM



INSPECTION PROCEDURE

HINT:

In case of not using the LEXUS hand-held tester, start from step 3.

- 1 Whether or not this DTC is cleared when the power window is lowered from fully close condition to half opened condition.

Yes

It is suspected that the DTC was detected by ECU with any failure in the past.

No

- 2 Check jam protection limit switch using LEXUS hand-held tester.

PREPARATION:

Connect the LEXUS hand-held tester to DLC3.

CHECK:

Check the jam protection limit switch using DATA LIST.

OK

Replace driver door ECU (See page IN-35).

NG

- 3 Check jam protection limit switch (See page BE-85).

NG

Replace power window motor.

OK

4 Check wire harness and connector between jam protection limit switch and driver door ECU.

NG

Repair or replace wire harness or connector.

OK

Replace driver door ECU (See page IN-35).