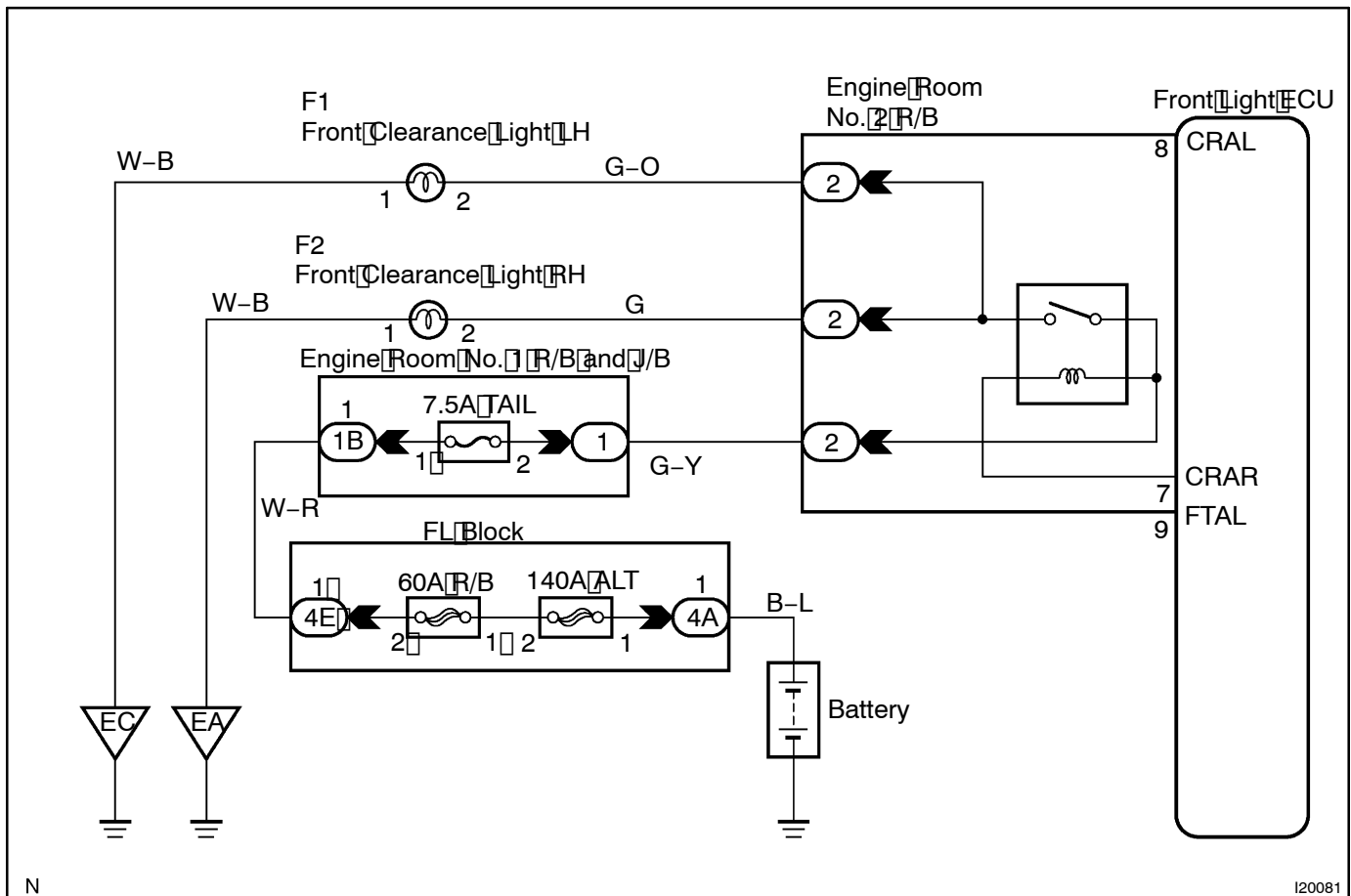


Clearance Light Circuit

CIRCUIT DESCRIPTION

Front Light ECU receives turn signal switch information from the combination switch, and lights the cornering light.

WIRING DIAGRAM



INSPECTION PROCEDURE

- 1 Check clearance light using LEXUS hand-held tester.

PREPARATION:

Connect the LEXUS hand-held tester to the DLC3.

CHECK:

Check the clearance light using ACTIVE LIST.

OK

Proceed to next circuit inspection shown on problem symptom table (See page DI-1186).

NG

2 Check TAIL fuse.

CHECK:

Check continuity of TAIL fuse.

OK:

Continuity

NG

Replace the failure fuse.

OK

3 Check voltage between terminal FTAL and E of front light ECU connector.

PREPARATION:

(a) Turn ignition switch OFF.

(b) Disconnect the front light ECU connector.

CHECK:

Measure voltage between terminal FTAL and E.

OK:

Voltage: 10 - 14 V

OK

Proceed to next circuit inspection shown on problem symptoms table (See page DI-1166).

NG

4 Check clearance light bulb.

NG

Replace the failure light bulb.

OK

5 Check wire harness and connector between clearance light and front light ECU, battery and clearance light (See page N-35).

NG

Repair or replace wire harness or connector.

OK

**Proceed to next circuit inspection shown on
problem symptoms table
(See [page DI-1166](#)).**