

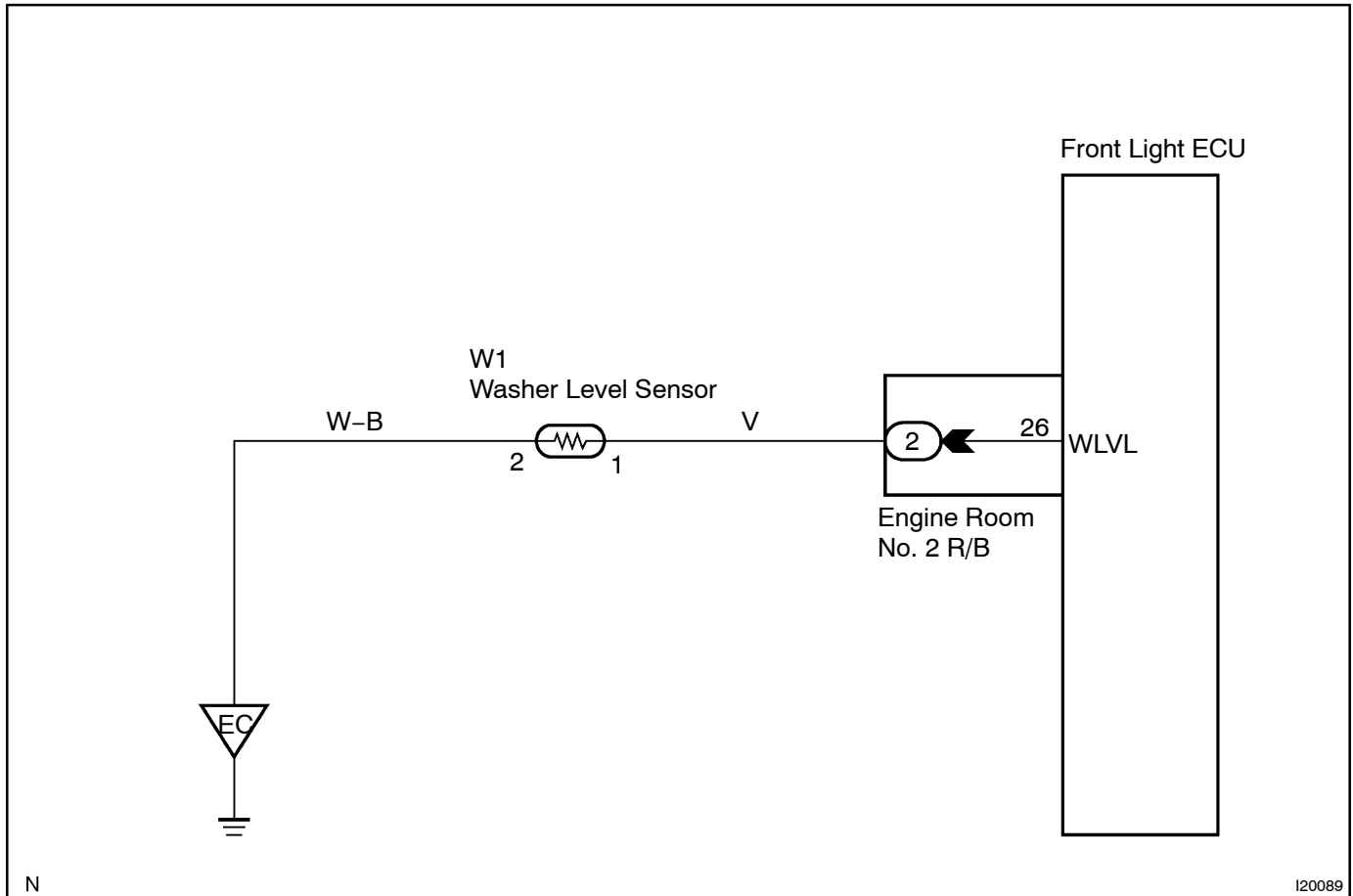
## Washer Fluid Level Sensor Circuit

### CIRCUIT DESCRIPTION

Front Light ECU receives washer fluid level sensor information, and sends it through the multiplex communication circuit to the combination meter.

The combination meter receives this information, and lights the washer fluid level warning when the washer fluid becomes less.

### WIRING DIAGRAM



## INSPECTION PROCEDURE

1 Check washer fluid level sensor using LEXUS hand-held tester.

**PREPARATION:**

Connect the LEXUS hand-held tester to the DLC3.

**CHECK:**

Check the washer fluid level sensor using DATA LIST.

OK

Proceed to next circuit inspection shown on problem symptom table (See page DI-1166).

NG

2 Check washer fluid level sensor (See page BE-73).

NG

Replace washer fluid level sensor.

OK

3 Check wire harness and connector between washer fluid level sensor and front light ECU (See page IN-35).

NG

Repair or replace wire harness or connector.

OK

Proceed to next circuit inspection shown on problem symptom table (See page DI-1166).