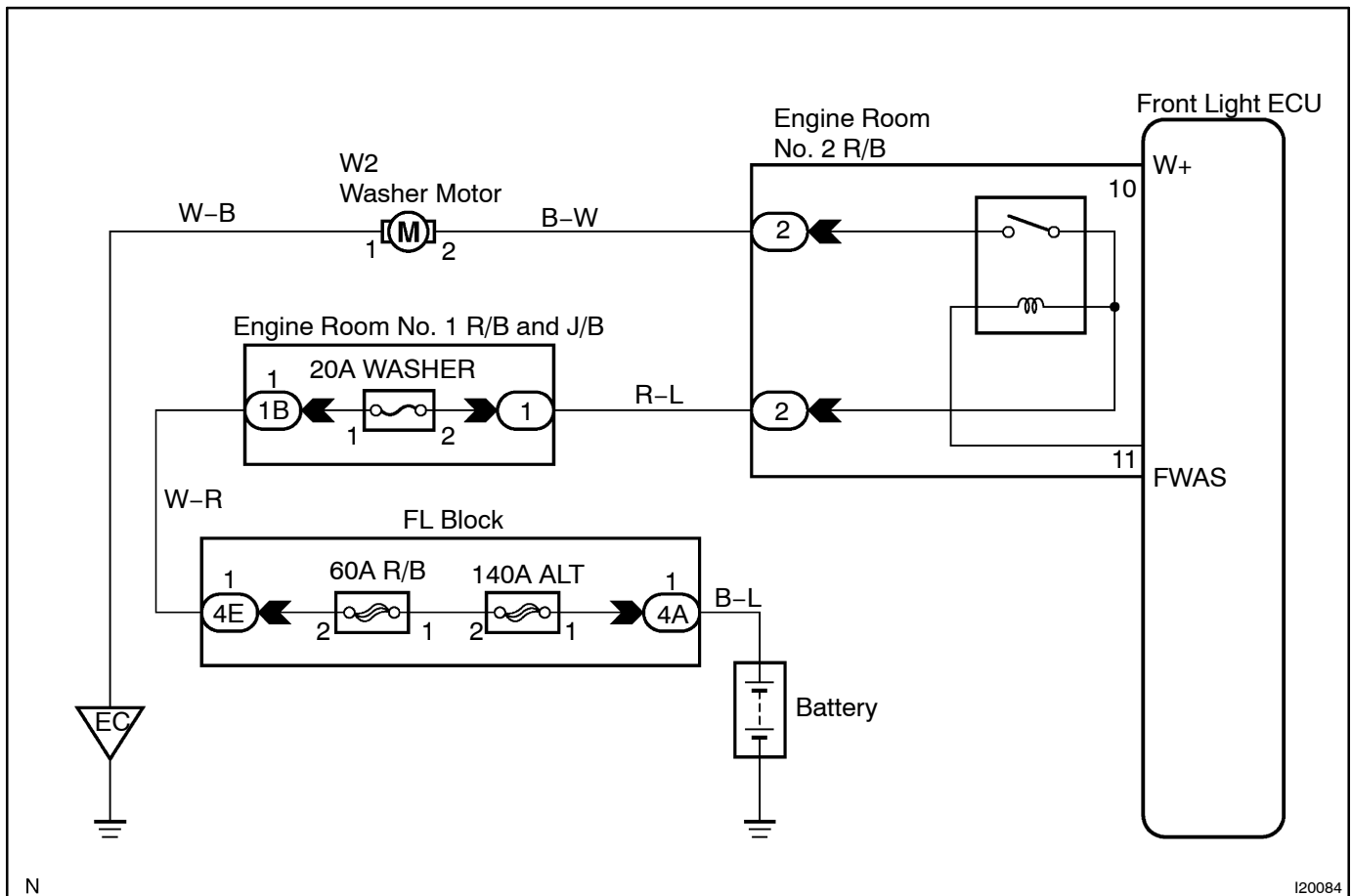


Washer Motor Circuit

CIRCUIT DESCRIPTION

Front Light ECU receives washer switch information from the combination switch, and operates the washer motor.

WIRING DIAGRAM



INSPECTION PROCEDURE

1 Check washer motor using LEXUS hand-held tester.

PREPARATION:

Connect the LEXUS hand-held tester to the DLC3.

CHECK:

Check the washer motor using ACTIVE LIST.

OK

Proceed to next circuit inspection shown on problem/symptom table (See page DI-1166).

NG

2 Check WASH fuse.

CHECK:

Check continuity of WASH fuse.

OK:

Continuity

NG

Replace the failure fuse.

OK

3 Check voltage between terminal WASH and E of front light ECU connector.

PREPARATION:

(a) Turn the ignition switch OFF.

(b) Disconnect the front light ECU connector.

CHECK:

Measure voltage between terminal WASH and E.

OK:

Voltage: 10 - 14 V

OK

Proceed to next circuit inspection shown on problem/symptoms table (See page DI-1166).

NG

4 Check washer motor (See page BE-64).

NG

Replace wiper and washer switch.

OK

5 Check wire harness and connector between washer motor and front light ECU (See page IN-35).

NG

Repair or replace wire harness or connector.

OK

Proceed to next circuit inspection shown on problem symptom table (See page DI-1166).