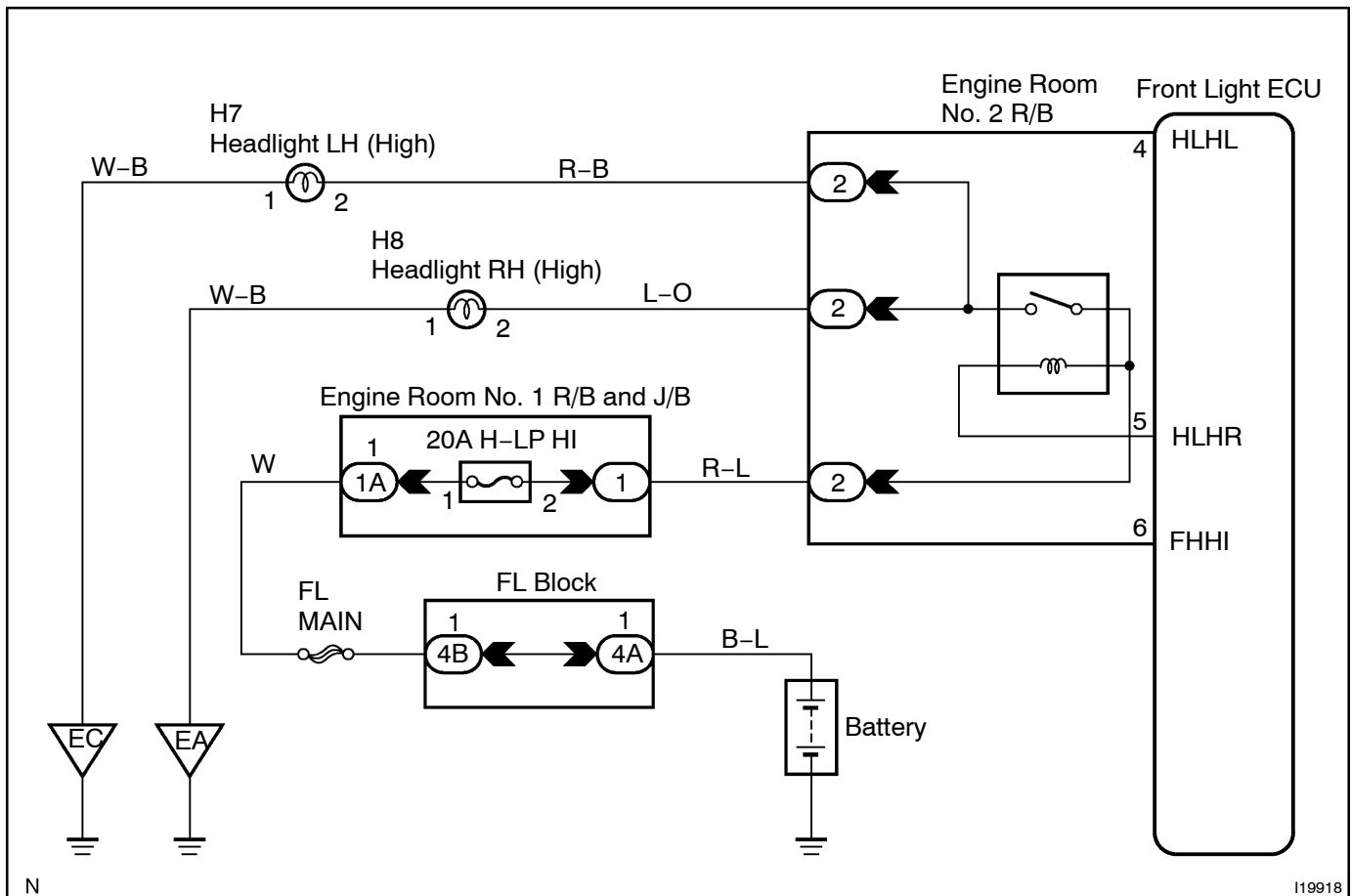


## Headlight Circuit

### CIRCUIT DESCRIPTION

Front Light ECU receives headlight HI switch information from the combination switch, and lights the headlight.

### WIRING DIAGRAM



**INSPECTION PROCEDURE**

1 Check headlight using LEXUS hand-held tester.

**PREPARATION:**

Connect the LEXUS hand-held tester to the DLC3.

**CHECK:**

Check the headlight using ACTIVE LIST.

OK

Proceed to next circuit inspection shown on problem symptom table (See page DI-1166).

NG

2 Check H-LP(HI) fuse.

**CHECK:**

Check continuity of H-LP(HI) fuse.

**OK:**

Continuity

NG

Replace the failure fuse.

OK

3 Check voltage between terminal FHHI and E of front light ECU connector.

**PREPARATION:**

(a) Turn the ignition switch OFF.

(b) Disconnect the front light ECU connector.

**CHECK:**

Measure voltage between terminal FHHI and E.

**OK:**

Voltage: 10 - 14 V

OK

Proceed to next circuit inspection shown on problem symptoms table (See page DI-1166).

NG

4 Check headlight bulb.

NG

Replace the failure light bulb.

OK

5 Check wire harness and connector between headlight and front light ECU, battery and headlight (See page IN-35).

NG

Repair or replace wire harness or connector.

OK

Proceed to next circuit inspection shown on problem symptoms table (See page DI-1166).