

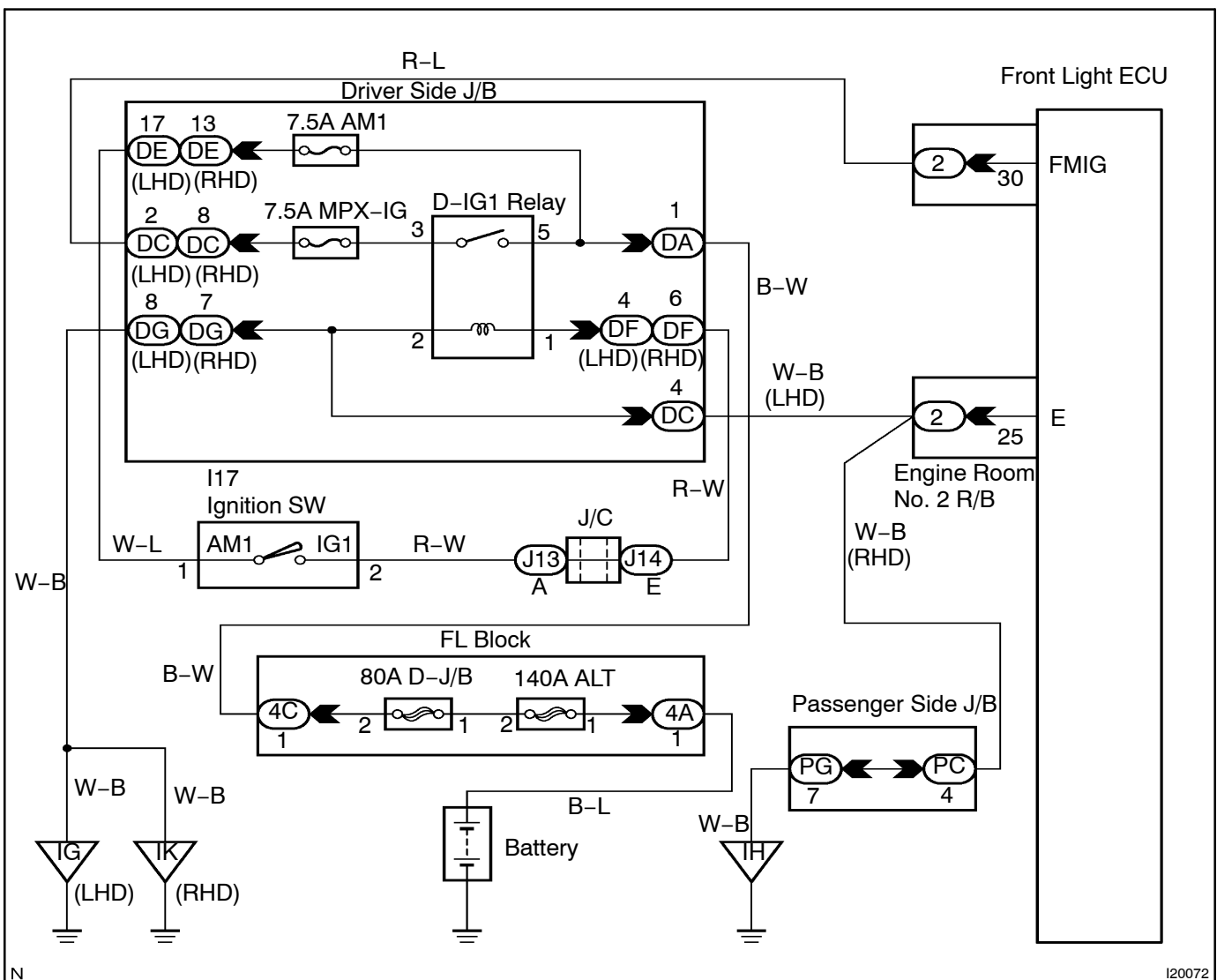
Ignition Switch Power Source Circuit

CIRCUIT DESCRIPTION

When the ignition switch is turned to the ACC position, battery positive voltage is applied to the terminal ACC of the ECU.

Also, if the ignition switch is turned to the ON position, battery positive voltage is applied to the terminals ACC and IG of the ECU.

WIRING DIAGRAM



INSPECTION PROCEDURE

1 Check MPX-IG fuse and D-IG1 relay.

CHECK:

- (a) Check continuity of MPX-IG fuse.
 (b) Check D-IG1 relay.

OK:

Continuity

NG

Replace the failure fuse or relay.

OK

2 Check voltage between terminals FMIG and E of front light ECU connector.

PREPARATION:

Turn the ignition switch ON.

CHECK:

Measure voltage between terminals FMIG and E.

OK:

Voltage: 10 - 14V

OK

Proceed to next circuit inspection shown on problem symptoms table (See page DI-1166).

NG

3 Check wire harness and connector between ECU and body ground (See page IN-35).

NG

Repair or replace wire harness or connector

OK

Check and repair wire harness and connector between ECU and battery (See page DI-1166).