

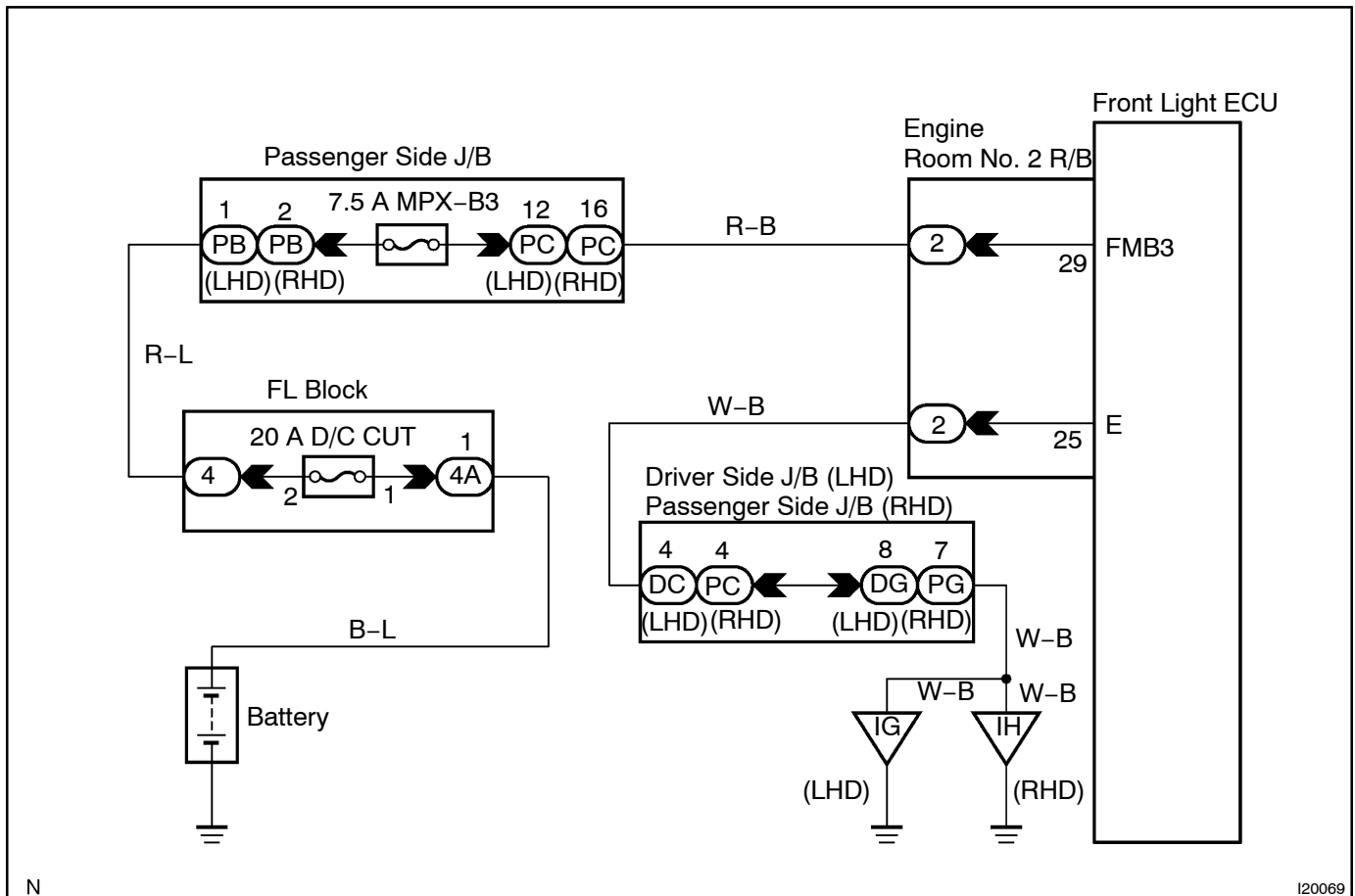
CIRCUIT INSPECTION

Power Source Circuit

CIRCUIT DESCRIPTION

This circuit provides power to operate the front light ECU.

WIRING DIAGRAM



INSPECTION PROCEDURE

1 Check MPX-B3 fuse.

CHECK:

Check continuity of MPX-B3 fuse.

OK:

Continuity

NG

Replace the failure fuse.

OK

2 Check voltage between terminals FMB3 and E of front light ECU connector.

PREPARATION:

- (a) Turn the ignition switch OFF.
- (b) Disconnect the front light ECU connector.

CHECK:

Measure voltage between terminals FMB3 and E.

OK:

Voltage: 10 - 14V

OK

Proceed to next circuit inspection shown on problem symptoms table (See page DI-1166).

NG

3 Check wire harness and connector between ECU and body ground (See page IN-35).

NG

Repair or replace wire harness or connector.

OK

Check and repair wire harness and connector between ECU and battery (See page DI-1119).