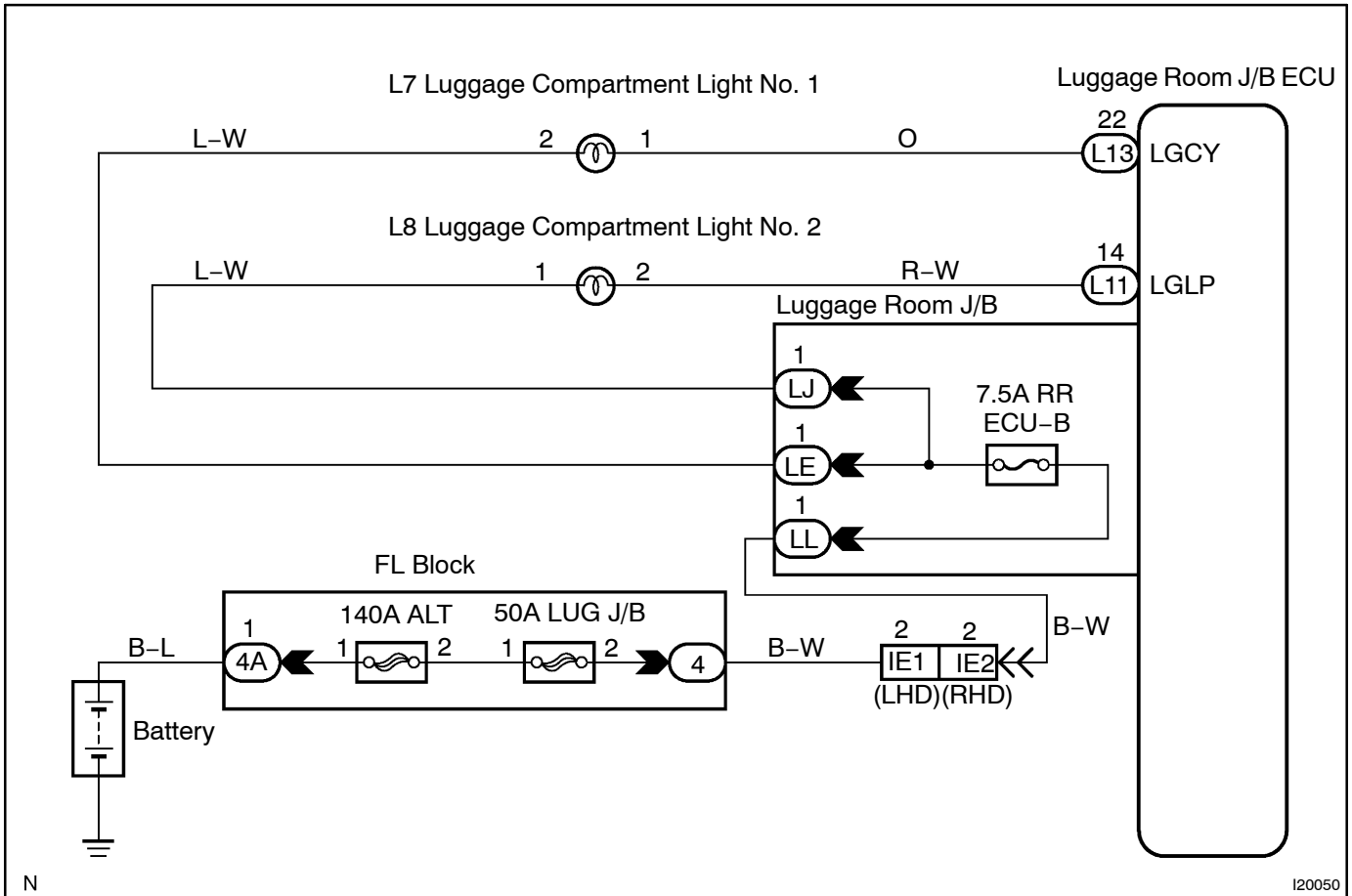


# Luggage Room Light Circuit

## CIRCUIT DESCRIPTION

The luggage door courtesy switch goes on when the luggage door is opened and goes off when the luggage door is closed.

## WIRING DIAGRAM



N

I20050

**INSPECTION PROCEDURE**

1 Check luggage room light using LEXUS hand-held tester.

**PREPARATION:**

Connect the LEXUS hand-held tester to the DLC3.

**CHECK:**

Check the luggage room light using ACTIVE TEST.

OK

Proceed to next circuit inspection shown on problem symptom table (See page DI-1113).

NG

2 Check RR ECU-B fuse.

NG

Replace fuse.

OK

3 Check luggage room light bulb.

NG

Replace the failure light bulb.

OK

4 Check wire harness and connector between luggage room light and luggage room ECU, battery and luggage room light (See page N-35).

NG

Repair or replace wire harness or connector.

OK

Proceed to next circuit inspection shown on problem symptoms table (See page DI-1113).