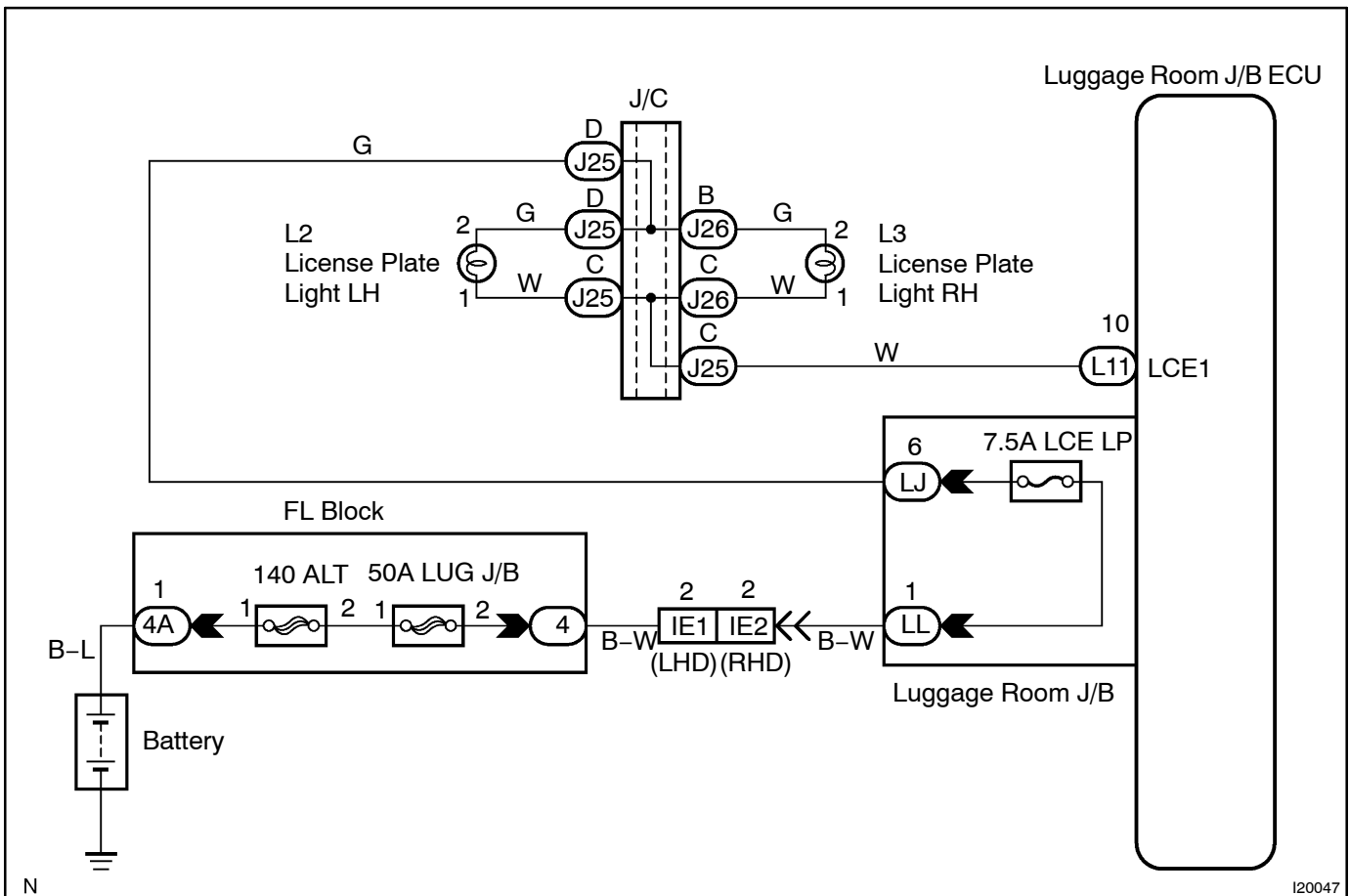


# Licence Plate Light Circuit

## CIRCUIT DESCRIPTION

Receiving the light control switch TAIL signal from the luggage room J/B ECU makes the licence light come on.

## WIRING DIAGRAM



N

I20047

**INSPECTION PROCEDURE**

1 Check licence plate light using LEXUS hand-held tester.

**PREPARATION:**

Connect the LEXUS hand-held tester to the DLC3.

**CHECK:**

Check the licence plate light using ACTIVE TEST.

OK

Proceed to next circuit inspection shown on problem symptom table (See page DI-1119).

NG

2 Check LCE LP fuse.

NG

Replace fuse.

OK

3 Check licence plate light bulb.

NG

Replace the failure light bulb.

OK

4 Check wire harness and connector between each licence plate light and luggage room J/B ECU, battery and each licence plate light (See page IN-35).

NG

Repair or replace wire harness or connector.

OK

Proceed to next circuit inspection shown on problem symptoms table (See page DI-1119).