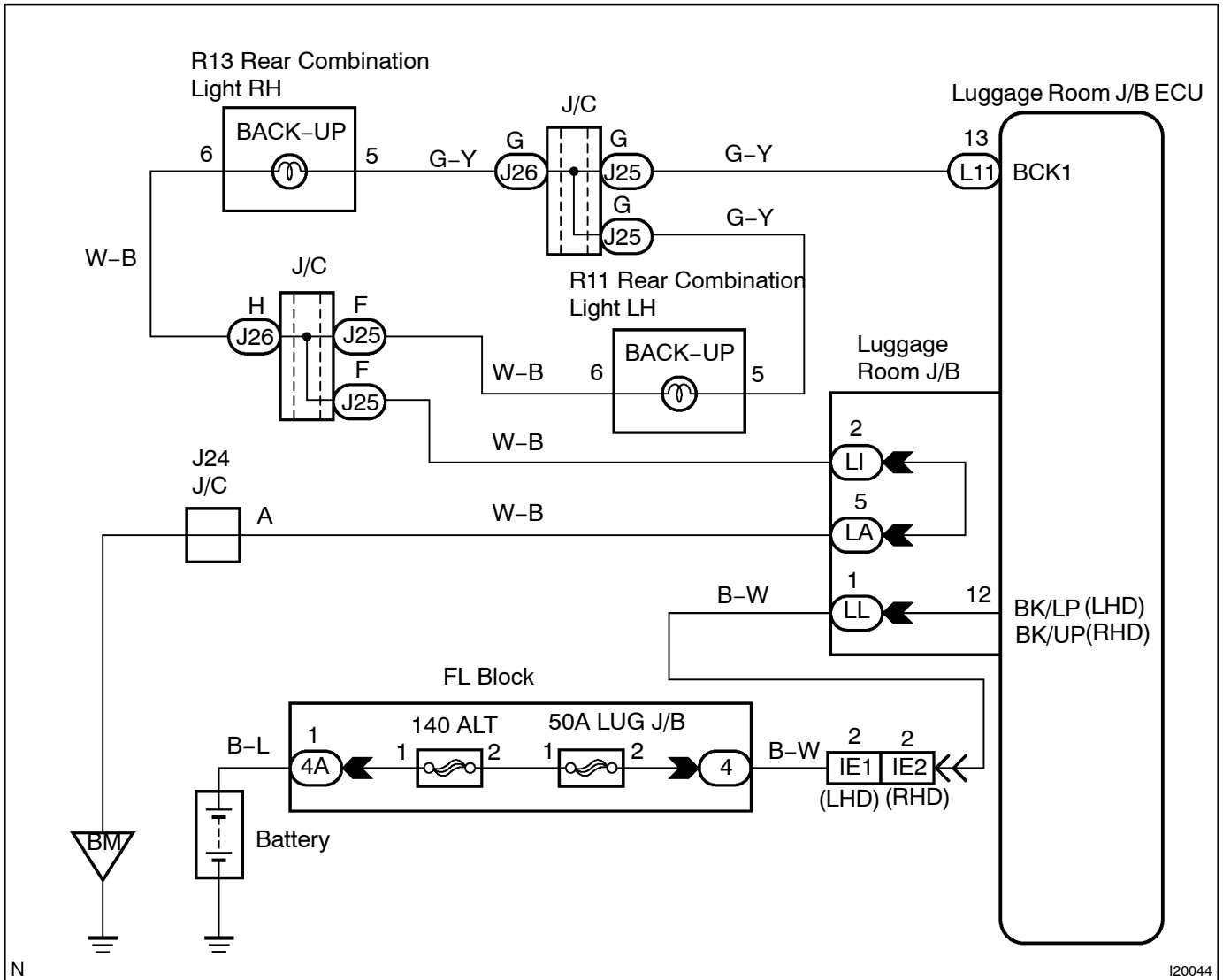


Back-up Light Circuit

CIRCUIT DESCRIPTION

Receiving the PNP switch R position signal from the luggage room J/B ECU makes the back-up light come on.

WIRING DIAGRAM



I20044

INSPECTION PROCEDURE

1 Check back-up light using LEXUS hand-held tester.

PREPARATION:

Connect the LEXUS hand-held tester to the DLC3.

CHECK:

Check the back-up light using ACTIVE TEST.

OK

Proceed to next circuit inspection shown on problem symptom table (See page DI-1119).

NG

2 Check back-up light bulb.

NG

Replace the failure light bulb.

OK

3 Check wire harness and connector between each back-up light and luggage room J/B ECU, battery and each back-up light (See page IN-35).

NG

Repair or replace wire harness or connector.

OK

Proceed to next circuit inspection shown on problem symptoms table (See page DI-1119).