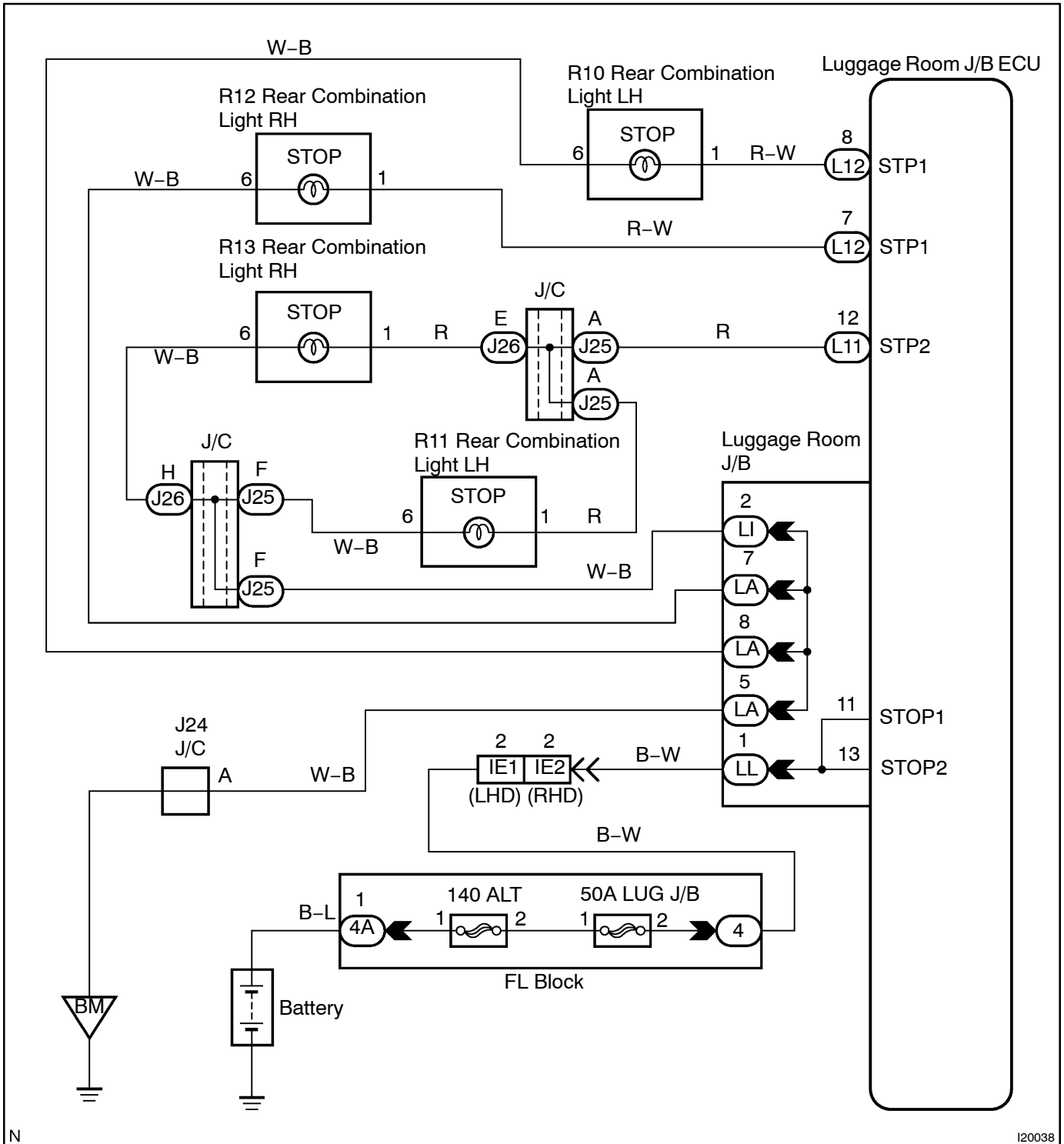


# Stop Light Circuit

## CIRCUIT DESCRIPTION

Receiving the brake pedal signal from the luggage room J/B ECU makes the stop light come on.

## WIRING DIAGRAM



**INSPECTION PROCEDURE**

1 Check stop light using LEXUS hand-held tester.

**PREPARATION:**

Connect the LEXUS hand-held tester to the DLC3.

**CHECK:**

Check the stop light using ACTIVE TEST.

OK

Proceed to next circuit inspection shown on problem symptom table (See page DI-1119).

NG

2 Check stop light bulb.

NG

Replace the failure light bulb.

OK

3 Check wire harness and connector between stop light and luggage room J/B ECU, battery and stop light (See page IN-35).

NG

Repair or replace wire harness or connector.

OK

Proceed to next circuit inspection shown on problem symptoms table (See page DI-1119).