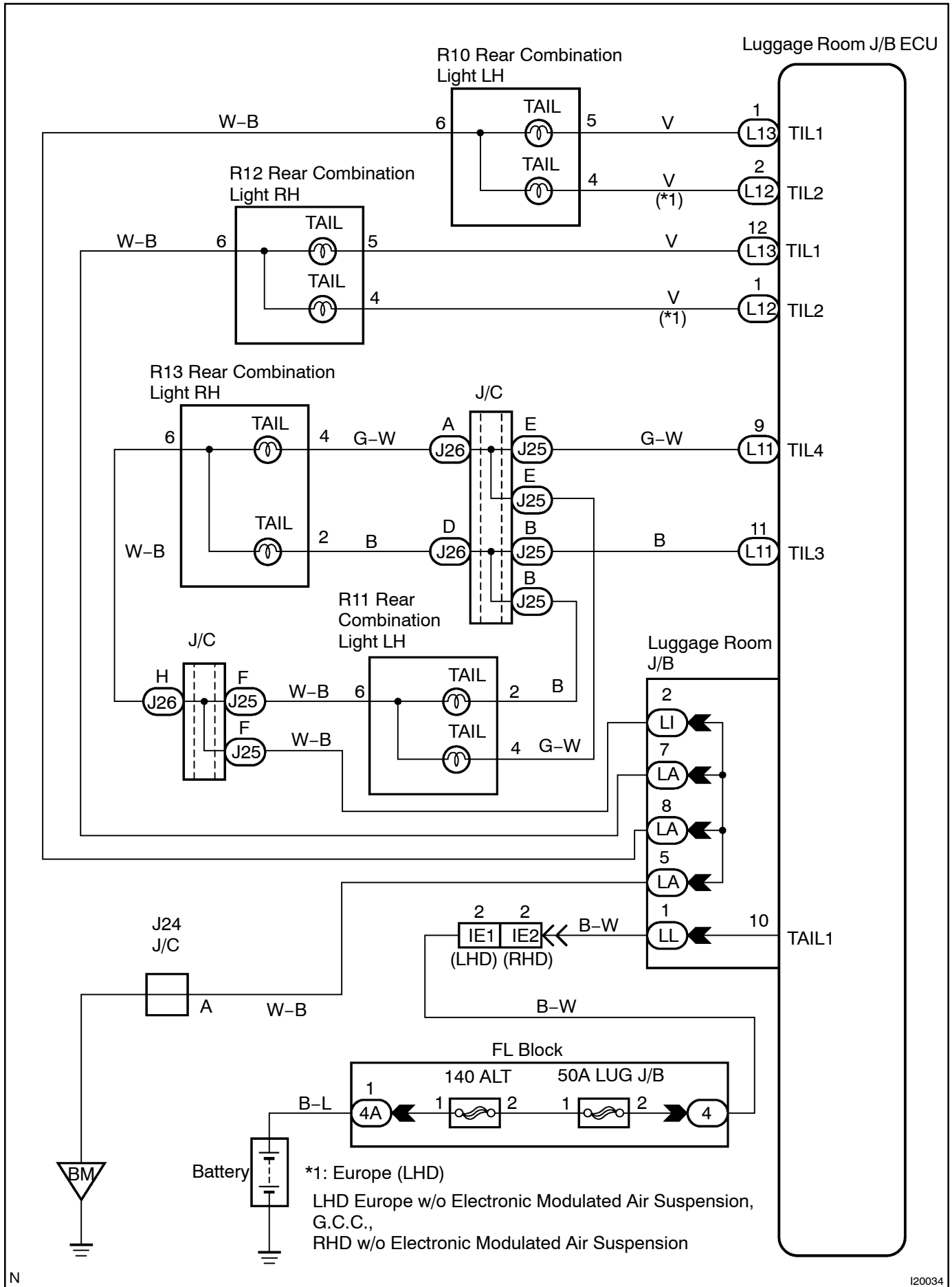


## Taillight Circuit

### CIRCUIT DESCRIPTION

Receiving the light control switch TAIL signal from either of the luggage room J/B ECU makes the taillight come on.

WIRING DIAGRAM



**INSPECTION PROCEDURE**

1 Check taillight using LEXUS hand-held tester.

**PREPARATION:**

Connect the LEXUS hand-held tester to the DLC3.

**CHECK:**

Check the taillight using ACTIVE TEST.

OK

Proceed to next circuit inspection shown on problem symptom table (See page DI-1119).

NG

2 Check taillight bulb.

NG

Replace the failure light bulb.

OK

3 Check wire harness and connector between each taillight and luggage room J/B ECU, battery and each taillight (See page N-35).

NG

Repair or replace wire harness or connector.

OK

Proceed to next circuit inspection shown on problem symptoms table (See page DI-1119).