

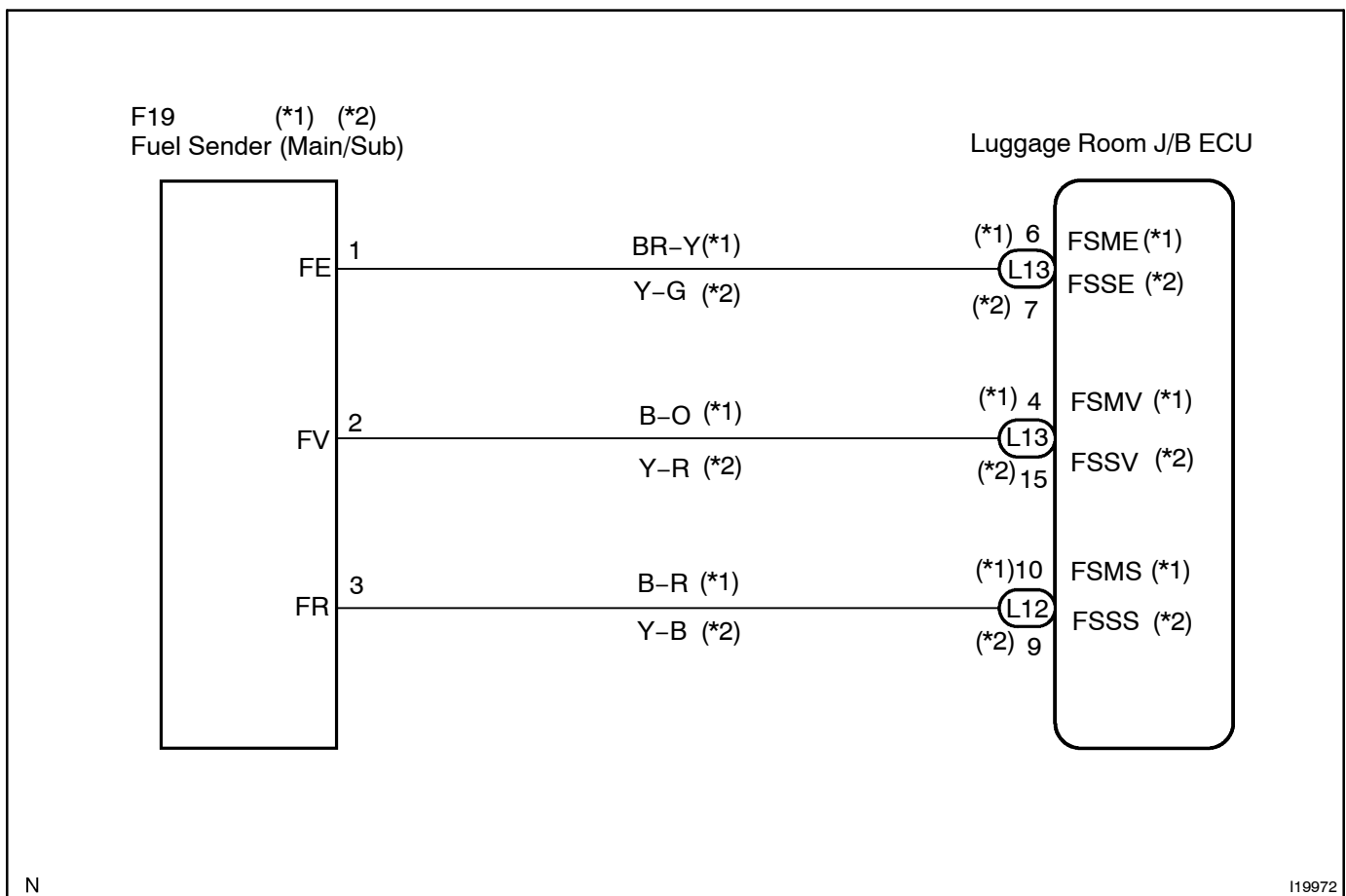
## Fuel Sender Main and Sub Gauge Circuit

### CIRCUIT DESCRIPTION

The luggage room J/B ECU detects the condition of the fuel main sender gauge and sends it to the combination meter via multiplex communication circuit.

The luggage room J/B ECU detects the condition of the fuel sub sender gauge and sends it to the combination meter via multiplex communication circuit.

### WIRING DIAGRAM



N

I19972

**INSPECTION PROCEDURE**

1 Check fuel sender main and sub gauge using LEXUS hand-held tester.

**PREPARATION:**

Connect the LEXUS hand-held tester to the DLC3.

**CHECK:**

Check the fuel sender main and sub gauge using DATA LIST.

OK

Proceed to next circuit inspection shown on problem symptom table (See page DI-1119).

NG

2 Check fuel sender main gauge (See page BE-73).

NG

Replace the fuel sender main gauge.

OK

3 Check wire harness and connector between fuel sender main gauge and luggage room J/B ECU (See page IN-35).

NG

Repair or replace wire harness or connector.

OK

4 Check fuel sender sub gauge (See page BE-73).

NG

Replace fuel sender sub gauge.

OK

5 Check wire harness and connector between fuel sender sub gauge and luggage room J/B ECU (See page IN-35).

NG

Repair or replace wire harness or connector.

OK

Proceed to next circuit inspection shown on problem symptoms table (See page DI-1113).