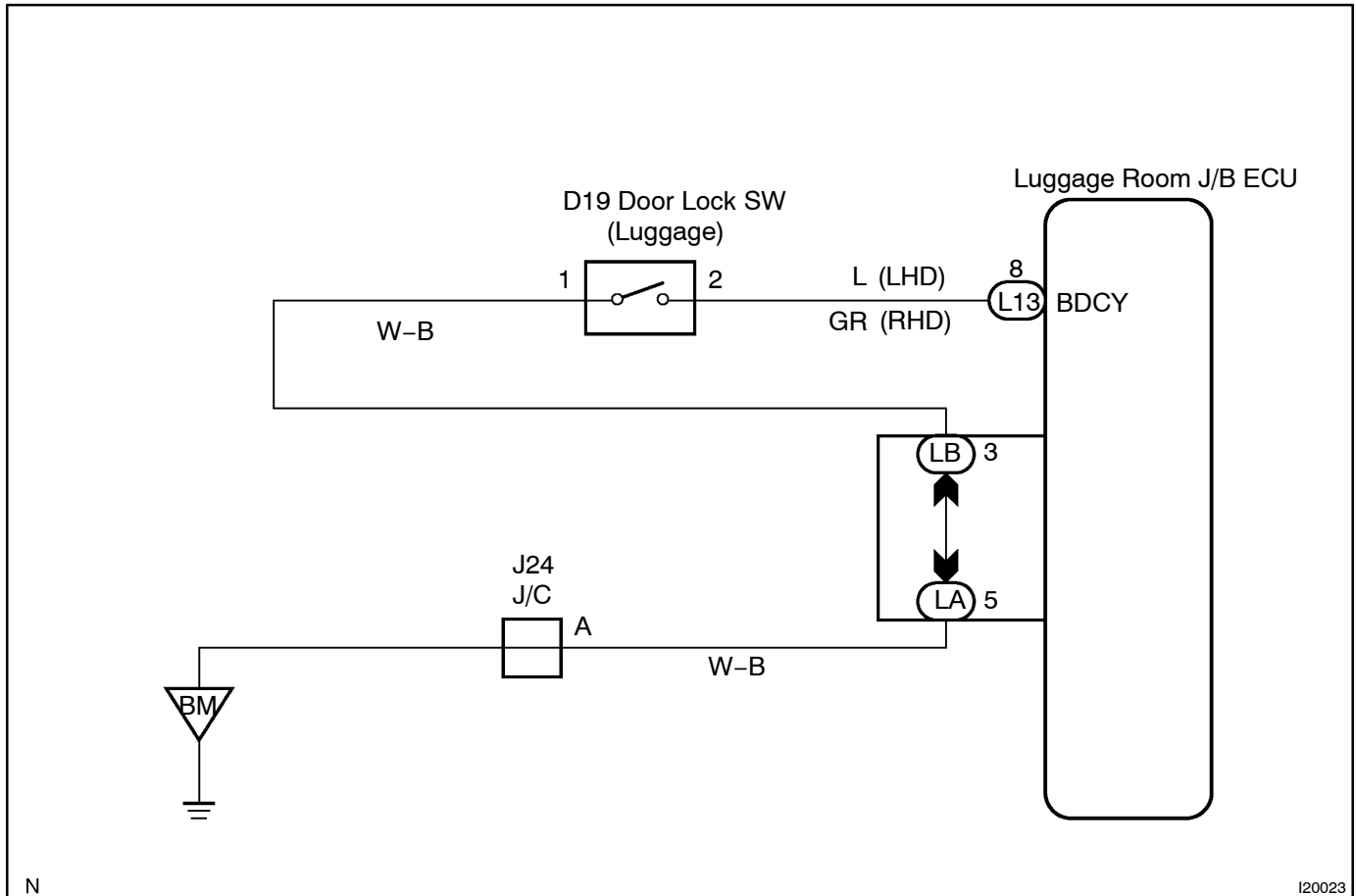


## Door Lock Switch (Luggage) Circuit

### CIRCUIT DESCRIPTION

The door lock (luggage) switch is built in the luggage door lock assembly, and it is turned on when the luggage door is opened and turned off when it is closed.

### WIRING DIAGRAM



**INSPECTION PROCEDURE**

1 Check door lock switch (luggage) using LEXUS hand-held tester.

**PREPARATION:**

Connect the LEXUS hand-held tester to the DLC3.

**CHECK:**

Check the door lock switch (luggage) using DATA LIST.

OK

Proceed to next circuit inspection shown on problem symptom table (See page DI-1113)

NG

2 Check door lock switch (luggage) (See page BE-95).

NG

Replace the door lock (luggage) switch.

OK

3 Check wire harness and connector between door lock (luggage) switch and luggage room J/B ECU (See page IN-35).

NG

Repair or replace wire harness or connector.

OK

Proceed to next circuit inspection shown on problem symptoms table (See page DI-1113).