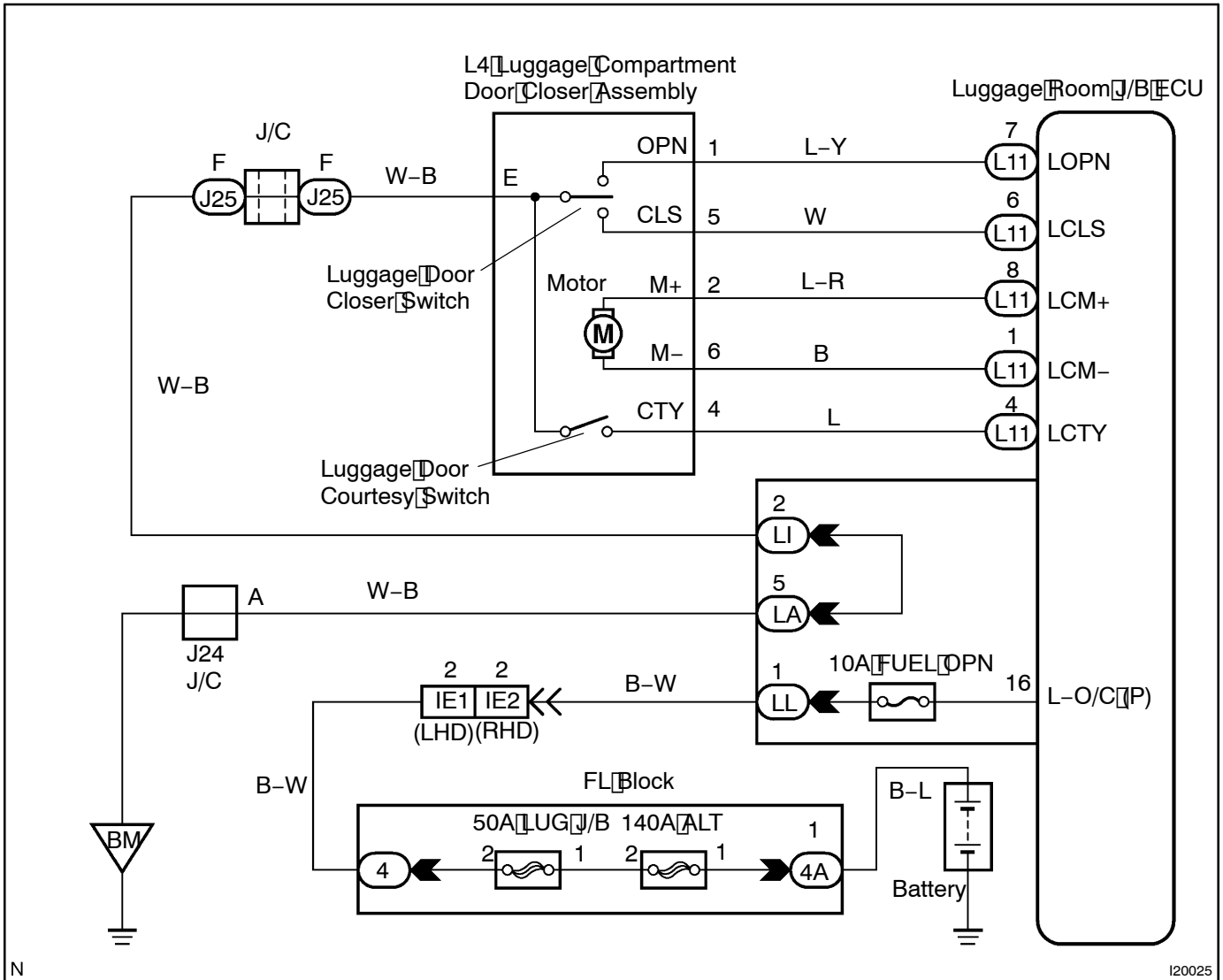


Luggage Compartment Door Courtesy Switch Circuit

CIRCUIT DESCRIPTION

See page DI-1132.

WIRING DIAGRAM



N

I20025

INSPECTION PROCEDURE

1 Check luggage compartment door courtesy switch using LEXUS hand-held tester.

PREPARATION:

Connect the LEXUS hand-held tester to the DLC3.

CHECK:

Check the luggage compartment door courtesy switch using DATA LIST.

OK Proceed to next circuit inspection shown on problem symptom table (See page DI-1113).

NG

2 Check luggage compartment door courtesy switch (See page BE-52).

NG Replace luggage compartment door courtesy switch.

OK

3 Check wireharness and connector between luggage compartment door courtesy switch and luggage room J/B ECU (See page IN-35).

NG Repair or replace wireharness or connector.

OK

Proceed to next circuit inspection shown on problem symptoms table (See page DI-1113).