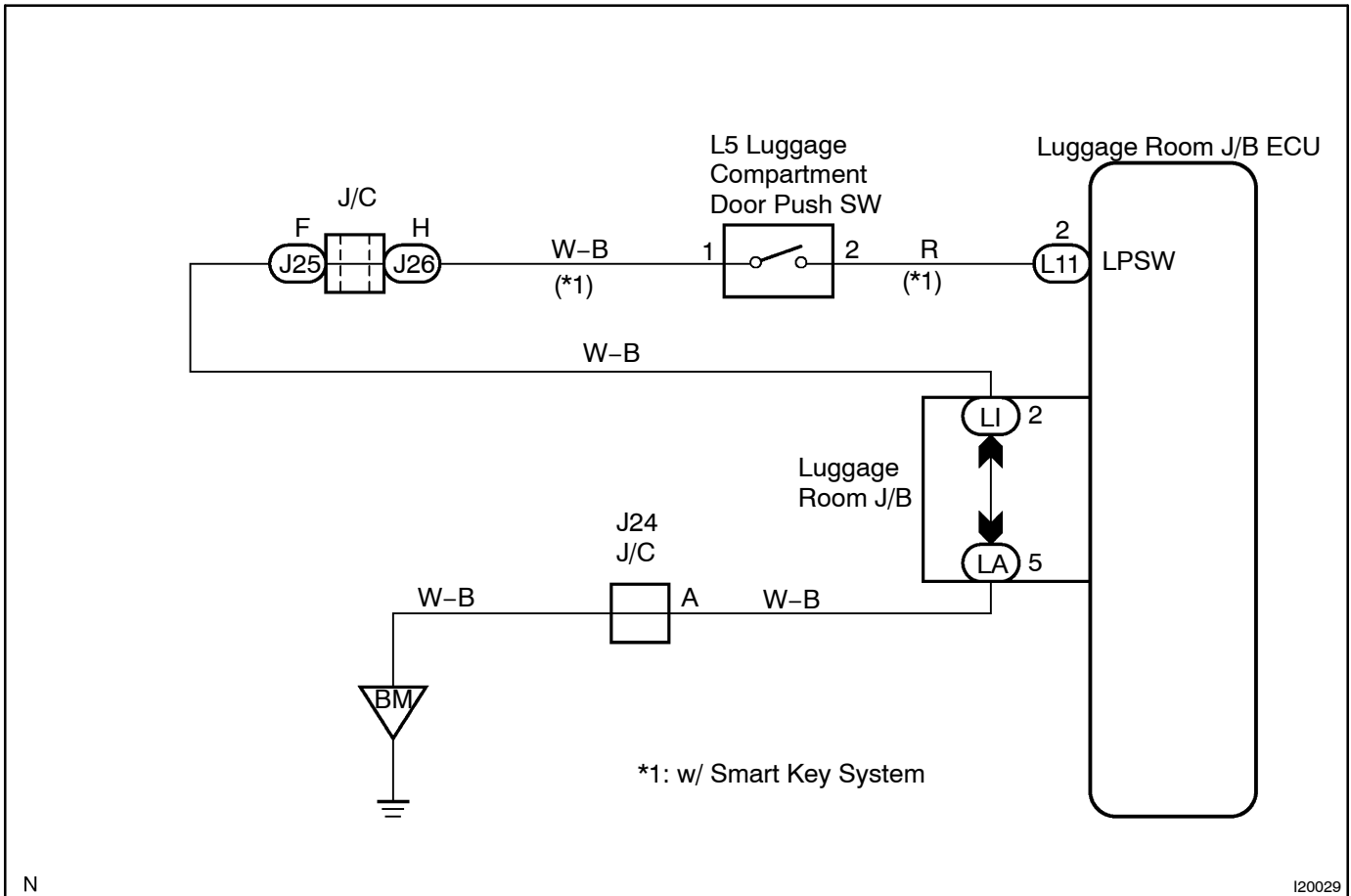


Luggage Compartment Door Push Switch Circuit (w/Smart key system)

CIRCUIT DESCRIPTION

The open-close operation of the luggage door is checked, and the signals are sent to the Luggage Room J/B ECU.

WIRING DIAGRAM



INSPECTION PROCEDURE

1 Check luggage compartment door push switch using LEXUS hand-held tester.

PREPARATION:

Connect the LEXUS hand-held tester to the DLC3.

CHECK:

Check the luggage compartment door push switch using DATA LIST.

OK

Proceed to next circuit inspection shown on problem symptom table (See page DI-1113).

NG

2 Check luggage compartment door push switch (See page BE-174).

NG

Replace luggage compartment door push switch.

OK

3 Check wire harness and connector between luggage compartment door push switch and luggage room J/B ECU (See page IN-35).

NG

Repair or replace wireharness or connector.

OK

Proceed to next circuit inspection shown on problem symptoms table (See page DI-1113).