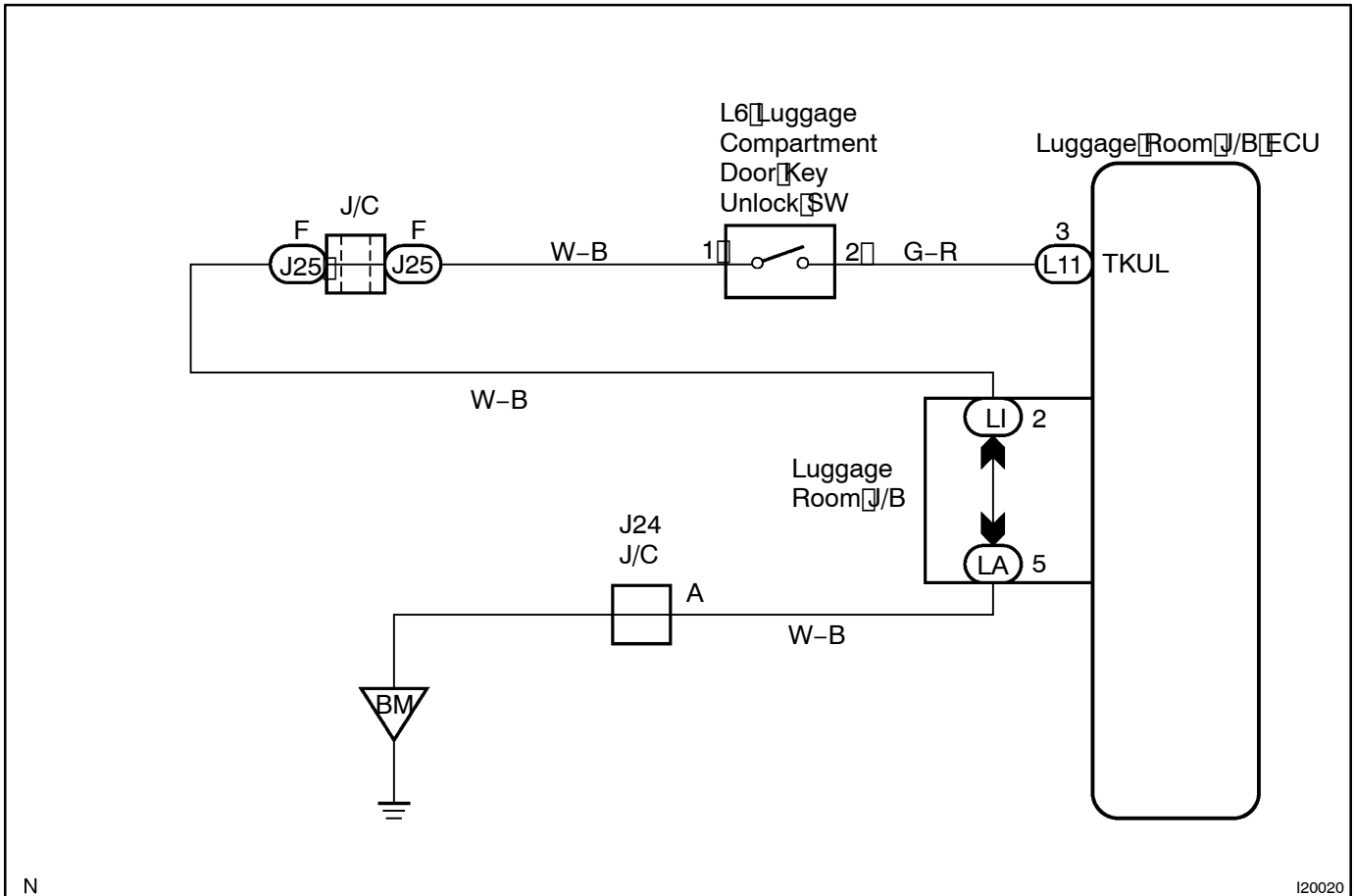


Luggage Compartment Door Key Lock and Unlock Switch Circuit

CIRCUIT DESCRIPTION

The luggage door key lock and unlock switch is built in the luggage door key cylinder. The switch goes on when the luggage door key cylinder is turned to the unlock side with the key.

WIRING DIAGRAM



INSPECTION PROCEDURE

- 1 Check luggage compartment door key lock and unlock switch using LEXUS hand-held tester.

PREPARATION:

Connect the LEXUS hand-held tester to the DLC3.

CHECK:

Check the luggage compartment door key lock and unlock switch using DATA LIST.

OK

Proceed to next circuit inspection shown on problem symptom table (See page DI-1113).

NG

2 Check luggage compartment door key lock and unlock switch
(See page BE-95).

NG

Replace luggage compartment door key lock and unlock switch.

OK

3 Check wire harness and connector between luggage compartment door key lock and unlock switch and luggage room J/B ECU (See page IN-35).

NG

Repair or replace wire harness or connector.

OK

Proceed to next circuit inspection shown on
problem symptoms table
(See page DI-1119).