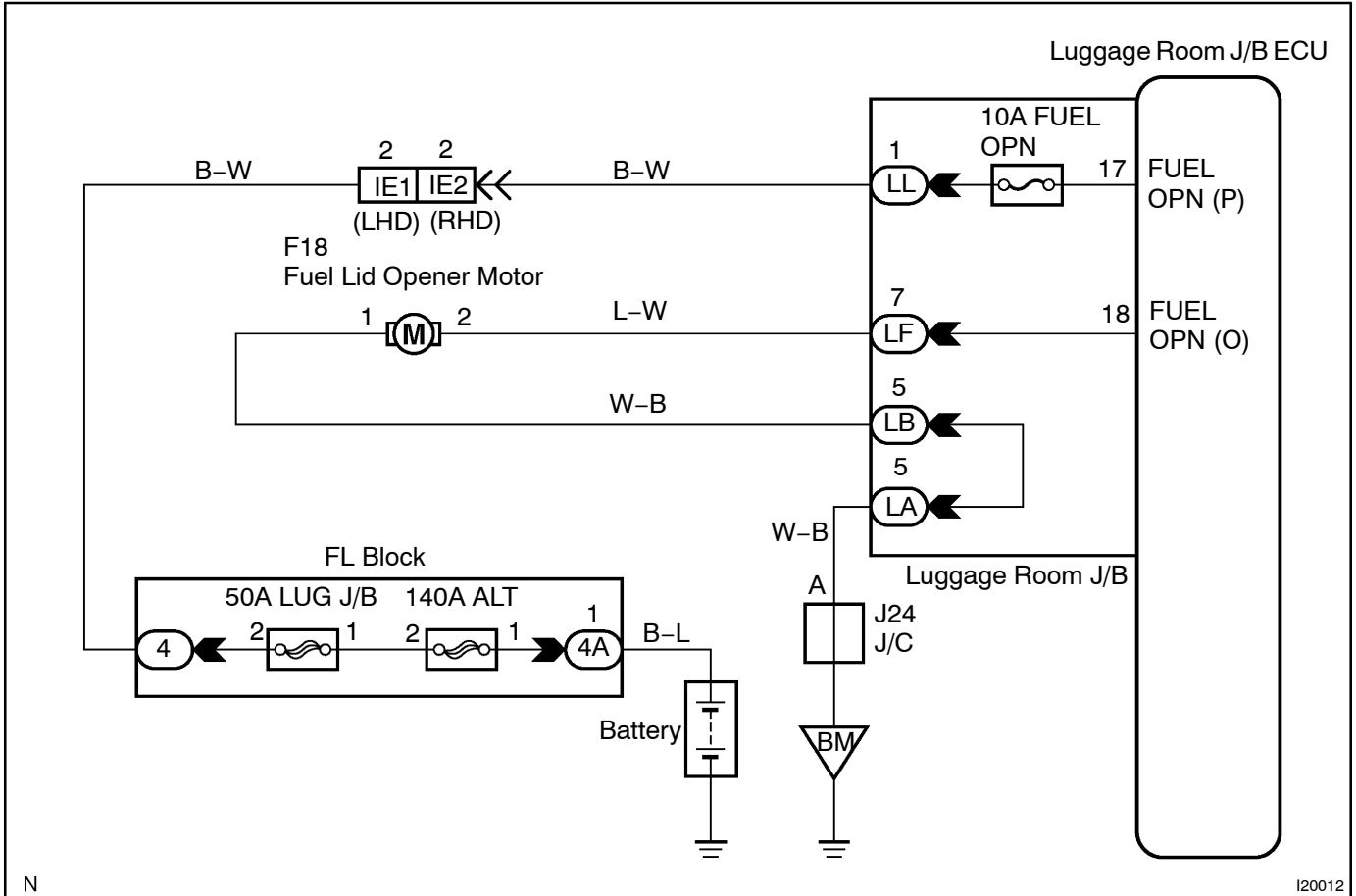


Fuel Lid Opener Motor Circuit

CIRCUIT DESCRIPTION

This circuit opens the fuel lid when the ECU sends signals to the fuel lid opener switch.

WIRING DIAGRAM



N

I20012

INSPECTION PROCEDURE

1 Check fuel lid opener motor using LEXUS hand-held tester.

PREPARATION:

Connect the LEXUS hand-held tester to the DLC3.

CHECK:

Check the fuel lid opener motor using ACTIVE TEST.

OK

Proceed to next circuit inspection shown on problem symptom table (See page DI-1113).

NG

2 Check FUEL OPN fuse.

NG

Replace fuse.

OK

3 Check fuel lid opener motor (See page BE-168).

NG

Replace fuel lid opener motor.

OK

4 Check wire harness and connector between fuel lid opener motor and luggage room J/B ECU (See page N-35).

NG

Repair or replace wire harness or connector.

OK

Proceed to next circuit inspection shown on problem symptoms table (See page DI-1113).