

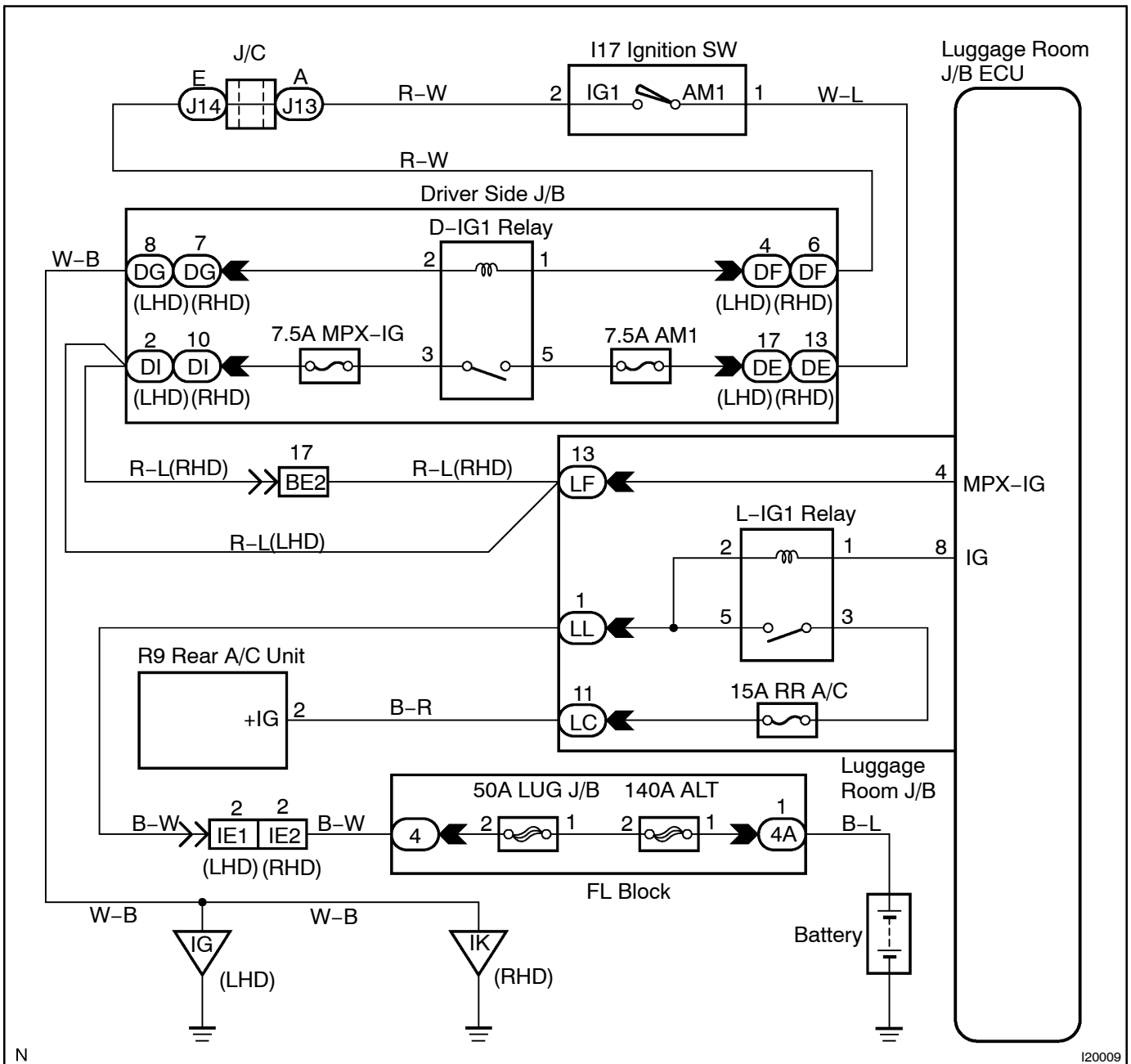
# Ignition Switch Power Source Circuit

## CIRCUIT DESCRIPTION

When the ignition switch is turned to the ACC position, battery positive voltage is applied to the terminal ACC of the ECU.

Also, if the ignition switch is turned to the ON position, battery positive voltage is applied to the terminals ACC and IG of the ECU.

## WIRING DIAGRAM



## INSPECTION PROCEDURE

1 Check D/C CUT and RR ACC fuse.

**CHECK:**

Check continuity of D/C CUT and RR ACC fuse.

**OK:**

Continuity

NG

Replace the failure fuse.

OK

2 Check voltage between terminal MPX-IG, ACC and GND of luggage room J/B ECU connector.

**PREPARATION:**

- (a) Turn the ignition switch OFF.
- (b) Disconnect the luggage room J/B ECU connector.

**CHECK:**

Measure voltage between terminals MPX-IG, ACC and GND.

**OK:**

Voltage: 10 - 14V

OK

Proceed to next circuit inspection shown on problem symptom table (See page DI-1113).

NG

3 Check wire harness and connector between luggage room J/B ECU and body ground (See page IN-35).

NG

Repair or replace wire harness or connector.

OK

Check and repair wire harness and connector between luggage room J/B ECU and battery (See page IN-35).