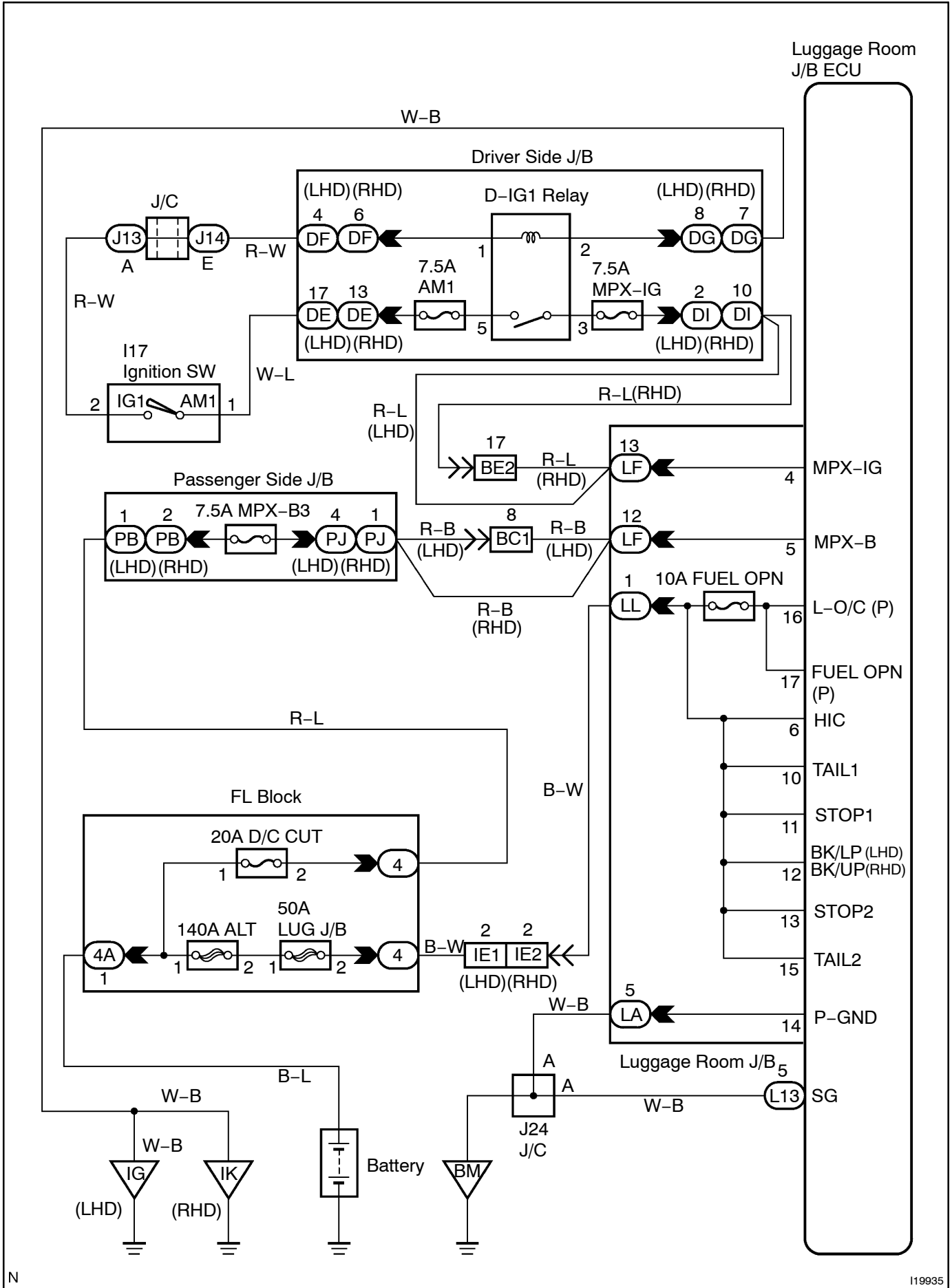


Power Source Circuit

CIRCUIT DESCRIPTION

This circuit provides power to operate the luggage room J/B ECU.

WIRING DIAGRAM



INSPECTION PROCEDURE**1** Check MPX-B3 and LUG J/B fuse.**CHECK:**

Check continuity of MPX-B3 and LUG J/B fuse.

OK:

Continuity

NG

Replace the failure fuse.

OK

2 Check voltage between terminals MPX-B, HIC and GND of luggage room J/B ECU connector.**PREPARATION:**

Disconnect the luggage room J/B ECU connector.

CHECK:

Measure voltage between terminals MPX-B, HIC and GND.

OK:

Voltage: 10 - 14V

OK

Proceed to next circuit inspection shown on problem symptom table (See page DI-1113).

NG

3 Check wire harness and connector between luggage room J/B ECU and body ground (See page IN-35).

NG

Repair or replace wire harness or connector.

OK

Check and repair wire harness and connector between luggage room J/B ECU and battery (See page DI-1113).