

CIRCUIT INSPECTION

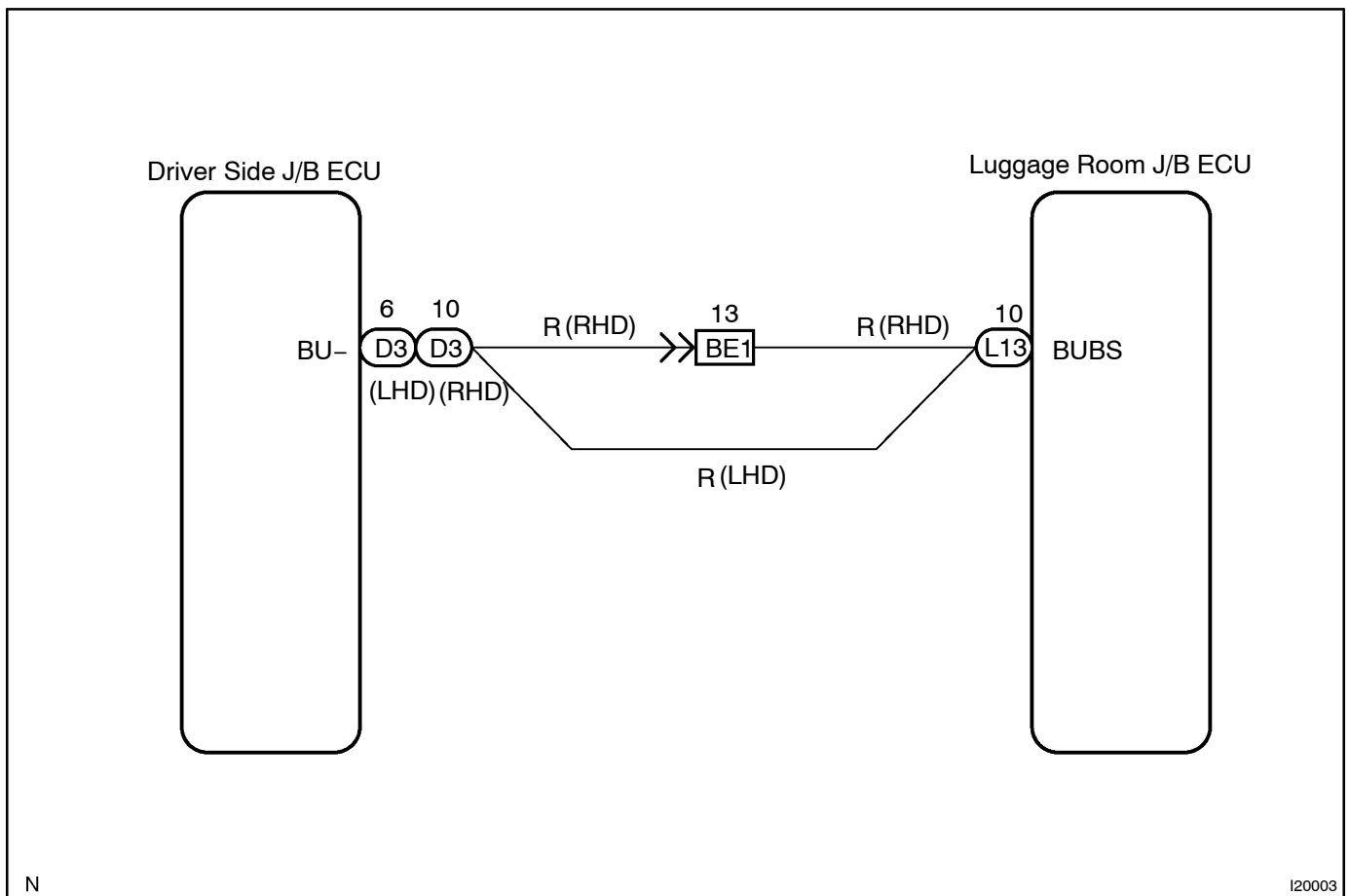
DTC	B1268	Back-up communication bus malfunction (between Driver Side J/B ECU and Luggage Room J/B ECU)
------------	--------------	---

CIRCUIT DESCRIPTION

This DTC is output when +B or GND short occurs on back-up communication bus.

DTC No.	DTC Detecting Condition	Trouble Area
B1268	• No communication	<ul style="list-style-type: none"> • Wire harness • Drive side J/B ECU • Luggage room J/B ECU

WIRING DIAGRAM



INSPECTION PROCEDURE

1 Check the communication circuit inside driver side J/B ECU.

PREPARATION:

Disconnect the connector "D3" of driver side J/B ECU.

CHECK:

Check the DTC.

OK:

Code B1268 is not output.

OK

Replace driver side J/B ECU
(See page N-35).

NG

2 Check the communication circuit inside luggage room J/B ECU.

PREPARATION:

Disconnect the connector "L13" of luggage room J/B ECU.

CHECK:

Check the DTC.

OK:

Code B1268 is not output.

OK

Replace luggage room J/B ECU.
(See page N-35).

NG

3 Check wire harness and connector between back-up communication bus.
(See page N-35).

PREPARATION:

Disconnect the connector of "D3" of driver side J/B and "L13" of luggage room J/B.

CHECK:

Check continuity between terminals BU- of driver side J/B ECU and BUBS of luggage room J/B ECU.

OK:

There is no continuity in wire harness.

HINT:

If there is SHORT in wire harness, please repair it.

NG**Repair or replace wire harness.****OK**

Replace the luggage room J/B ECU (See page N-35).