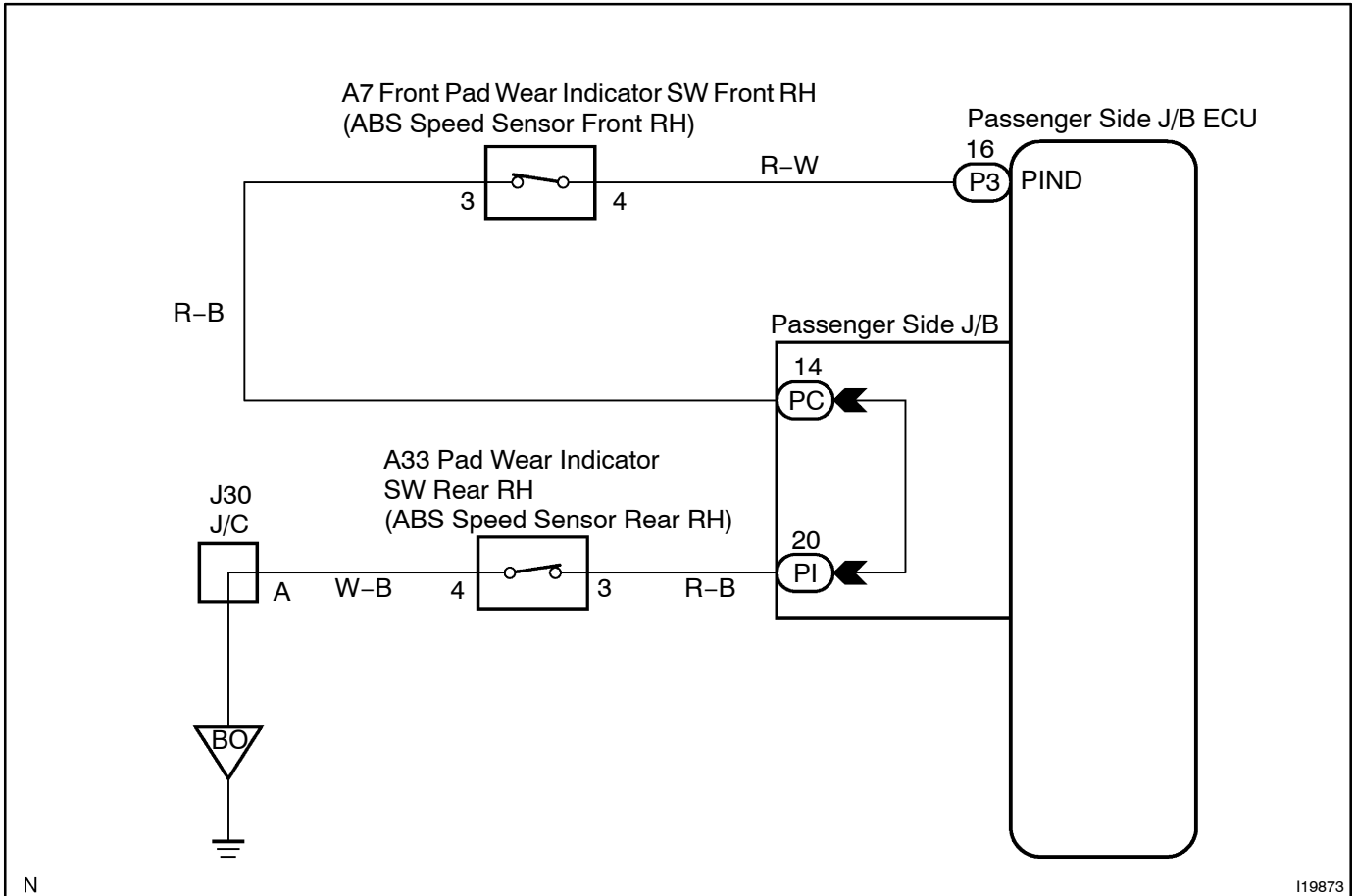


# Brake Pad Sensor Circuit (LHD only)

## CIRCUIT DESCRIPTION

Passenger side J/B ECU receives the brake pad sensor signal and sends it to the Combination meter.

## WIRING DIAGRAM



## INSPECTION PROCEDURE

**HINT:**

In case of using the LEXUS hand-held tester, start the inspection from step 1 and in case of not using the LEXUS hand-held tester, start from step 2.

<b>1</b>	<b>Check the brake pad sensor using LEXUS hand-held tester.</b>
----------	---

**PREPARATION:**

Connect the LEXUS hand-held tester to the DLC3.

**CHECK:**

Check the brake pad sensor using DATA LIST.

<b>OK</b>	<b>Proceed to next circuit inspection shown on problem symptom table (See page DI-1071).</b>
-----------	--

<b>NG</b>
-----------

<b>2</b>	<b>Check the brake pad sensor (See page BR-35).</b>
----------	---

<b>NG</b>	<b>Replace the brake pad sensor.</b>
-----------	--------------------------------------

<b>OK</b>
-----------

<b>3</b>	<b>Check wire harness and connector between brake pad sensor and passenger side J/B ECU (See page N-35).</b>
----------	--

<b>NG</b>	<b>Repair or replace wire harness or connector.</b>
-----------	---

<b>OK</b>
-----------

<b>Proceed to next circuit inspection shown on problem symptom table (See page DI-1071).</b>
--