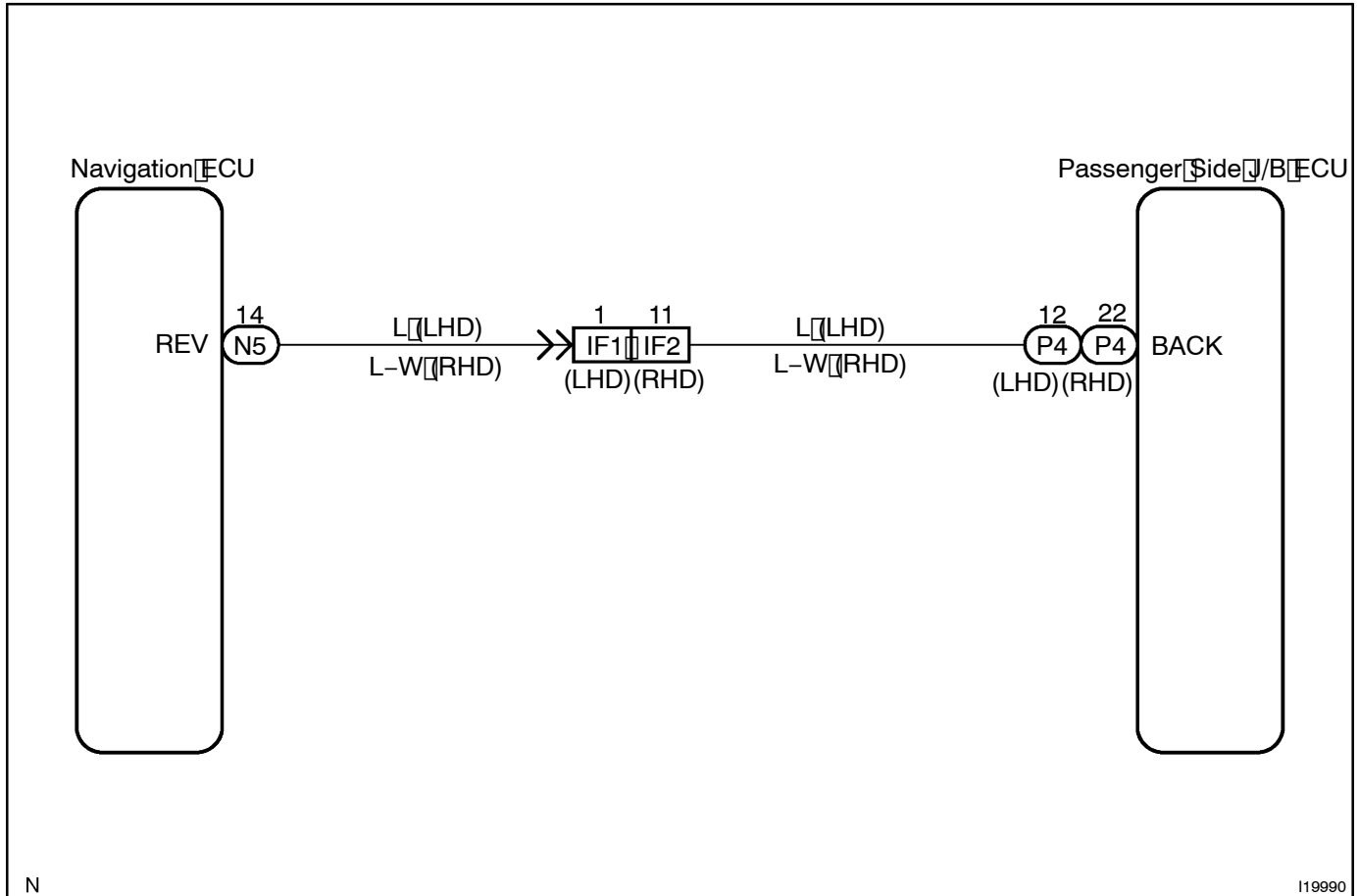


Navigation ECU Communication Circuit

CIRCUIT DESCRIPTION

Passenger Side J/B ECU sends A/T reverse position signal to the Navigation ECU.

WIRING DIAGRAM



INSPECTION PROCEDURE

1 Check the navigation ECU.

NG

Replace the navigation ECU (See page IN-35).

OK

2 Check wire harness and connector between navigation ECU and passenger side J/B ECU (See page IN-35).

NG

Repair or replace wire harness or connector.

OK

Proceed to next circuit inspection shown on problem/symptom table (See page DI-1071).