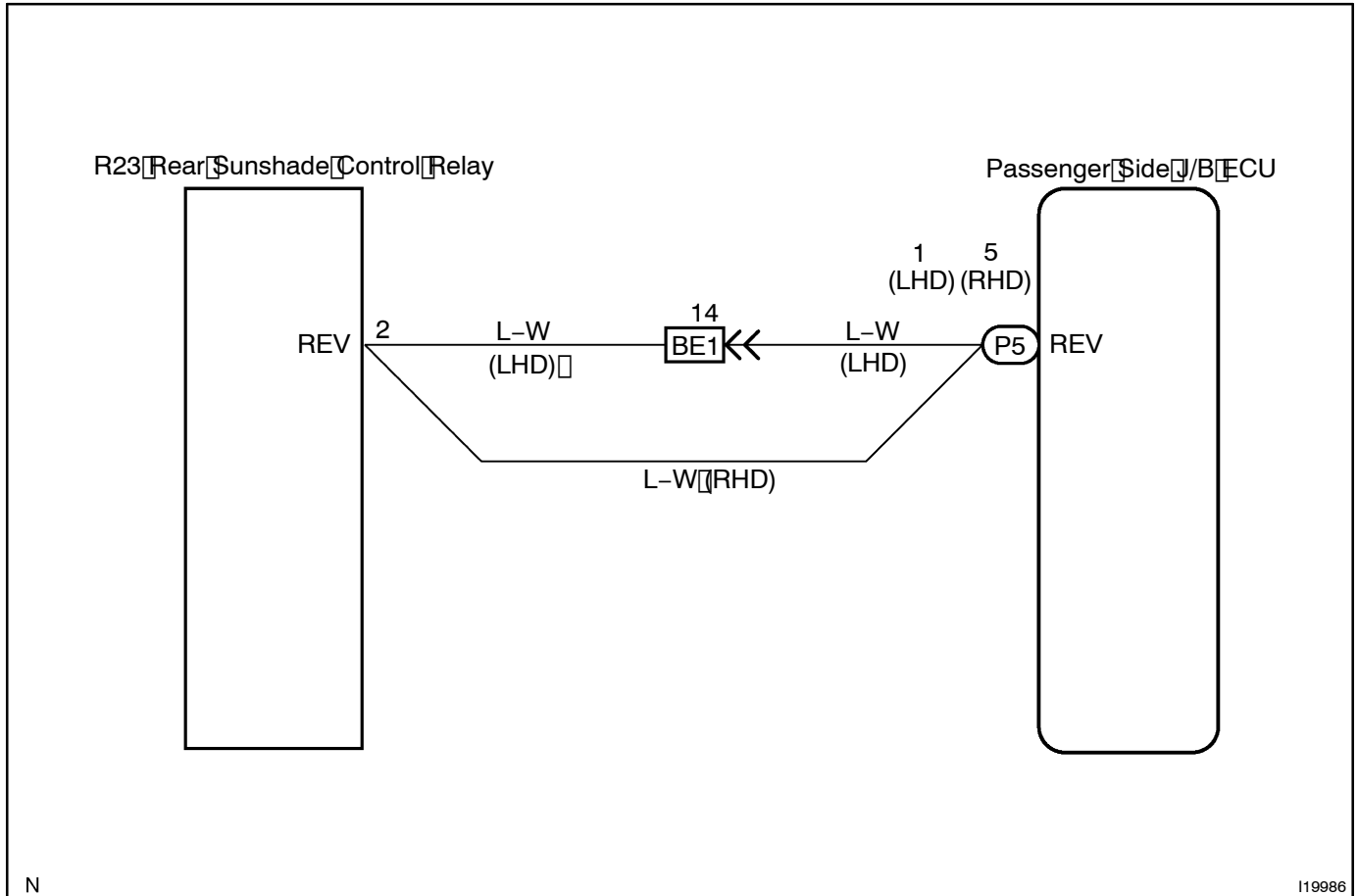


Rear Sunshade Relay Communication Circuit

CIRCUIT DESCRIPTION

Passenger side J/B ECU sends A/T reverse position signal to the Rear Sunshade Relay.

WIRING DIAGRAM



N

I19986

INSPECTION PROCEDURE

- 1 Check rear sunshade switch (See page BE-185).

NG

Replace the rear sunshade switch.

OK

2 Check rear sunshade relay (See page BE-185).

NG

Replace rear sunshade relay (See page IN-35).

OK

3 Check wireharness and connector between rear sunshade switch and rear sunshade relay, rear sunshade relay and passenger side J/B ECU (See page BE-185).

NG

Repair or replace wireharness or connector.

OK

Proceed to next circuit inspection shown on problem symptoms table (See page DI-1071).