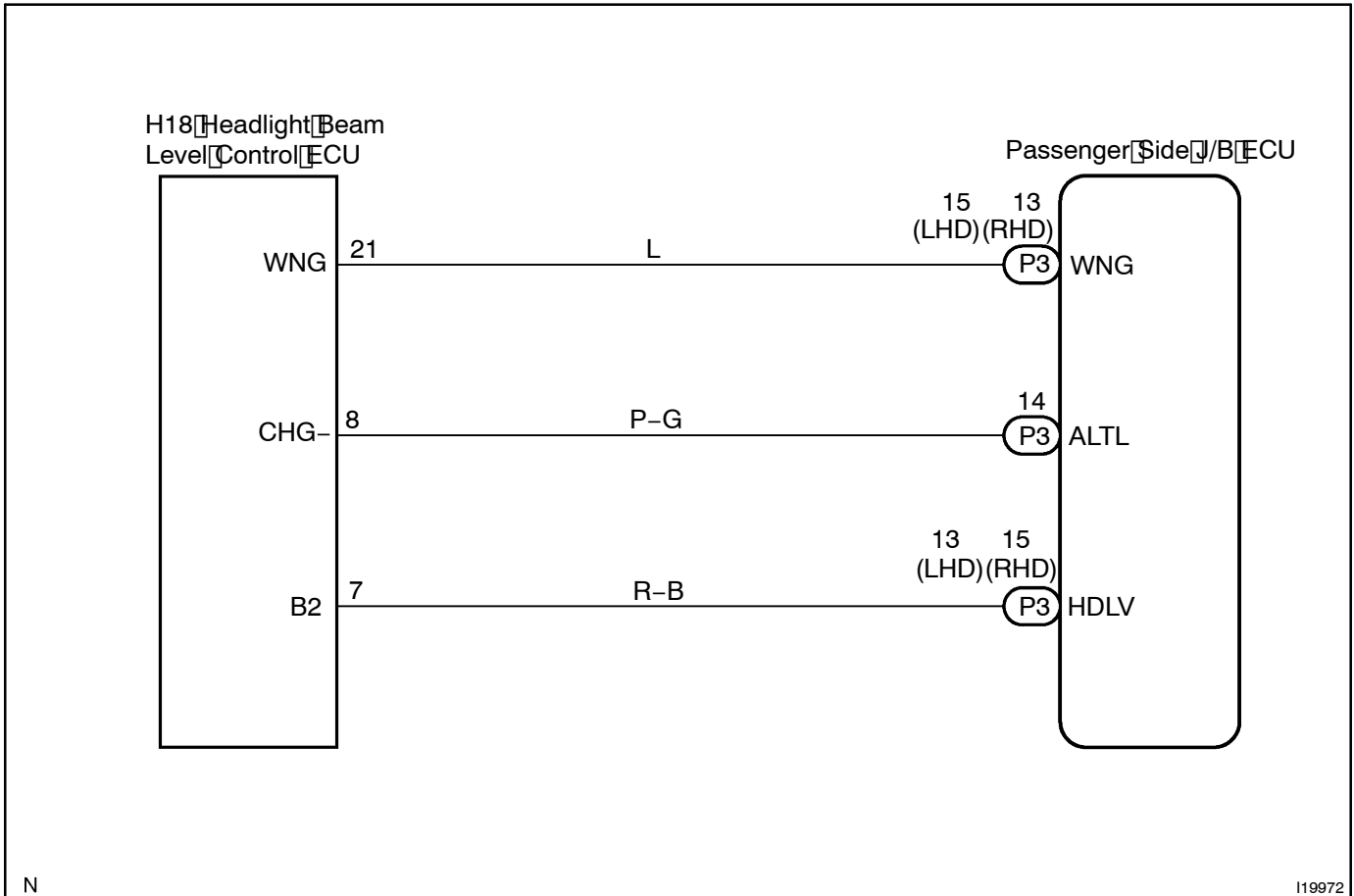


## Headlight Beam Level Control ECU Communication Circuit

### CIRCUIT DESCRIPTION

Passenger side J/B ECU receives error signals from the headlight leveling system. It also sends signals of the alternator, headlight ON and the daytime running light to the Headlight Beam Level Control ECU and operates the headlight beam level control system.

### WIRING DIAGRAM



### INSPECTION PROCEDURE

- 1 Check the headlight beam level control ECU.

NG

Replace the headlight beam level control ECU (See page N-35).

OK

2

Check wire harness and connector between headlight beam level control ECU and passenger side J/B ECU (See page IN-35).

NG

Repair or replace wire harness or connector.

OK

Proceed to next circuit inspection shown on problem/symptom table (See page DI-1071).