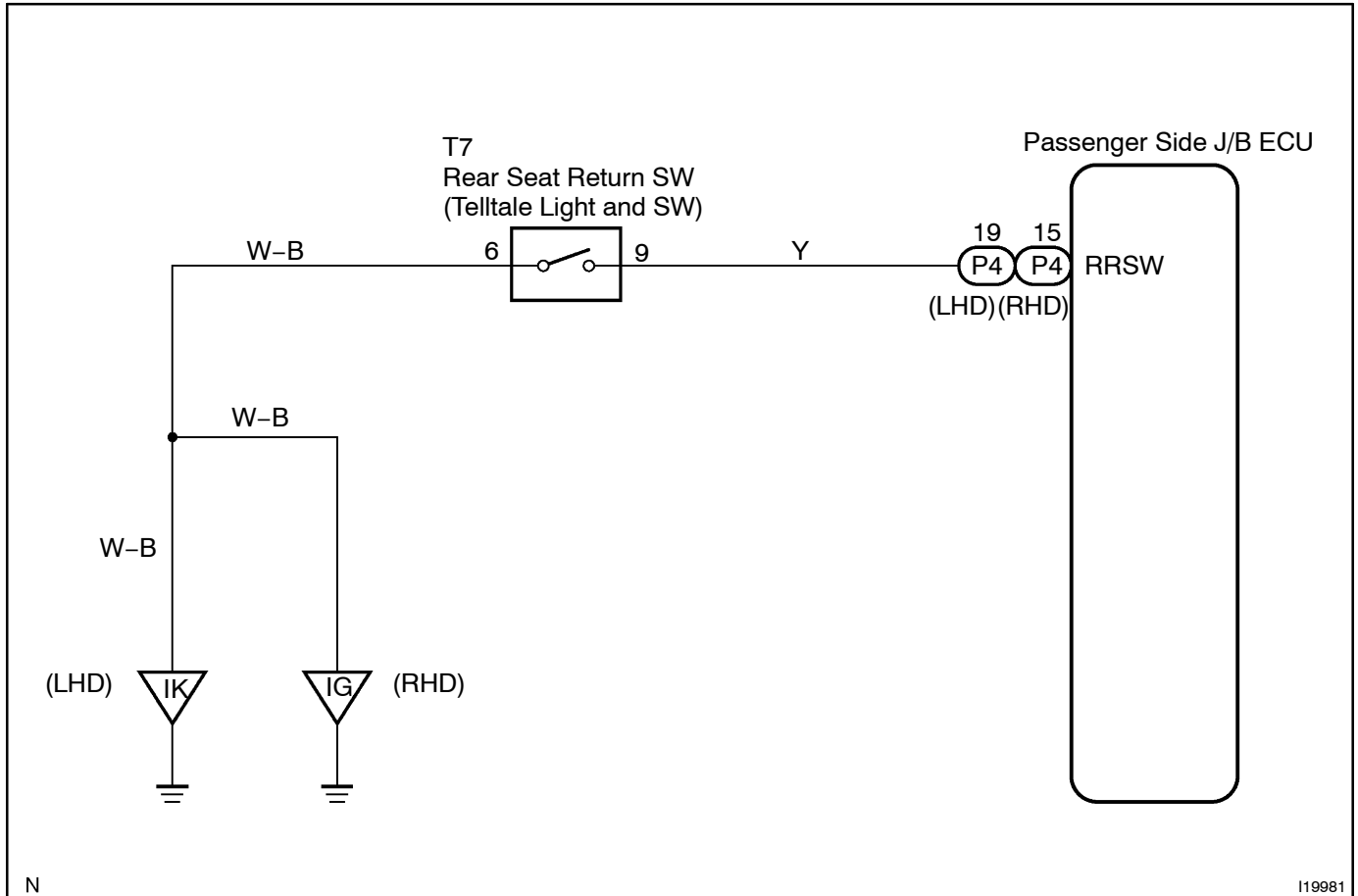


## Rear Seat Return Switch Circuit

### CIRCUIT DESCRIPTION

Passenger sides J/B ECU detects the state of the rear seat return switch.

### WIRING DIAGRAM



**INSPECTION PROCEDURE****HINT:**

In case of using the LEXUS hand-held tester, start the inspection from step 1 and in case of not using the LEXUS hand-held tester, start from step 2.

**1** Check the rear seat return switch using LEXUS hand-held tester.

**PREPARATION:**

Connect the LEXUS hand-held tester to the DLC3.

**CHECK:**

Check the rear seat return switch using DATA LIST.

OK

Proceed to next circuit inspection shown on problem symptom table (See page DI-1071).

NG

**2** Check the rear seat return switch (See page BE-131).

NG

Replace the rear seat return switch.

OK

**3** Check wire harness and connector between rear seat return switch and passenger side J/B ECU (See page IN-35).

NG

Repair or replace wire harness or connector.

OK

Proceed to next circuit inspection shown on problem symptom table (See page DI-1071).