

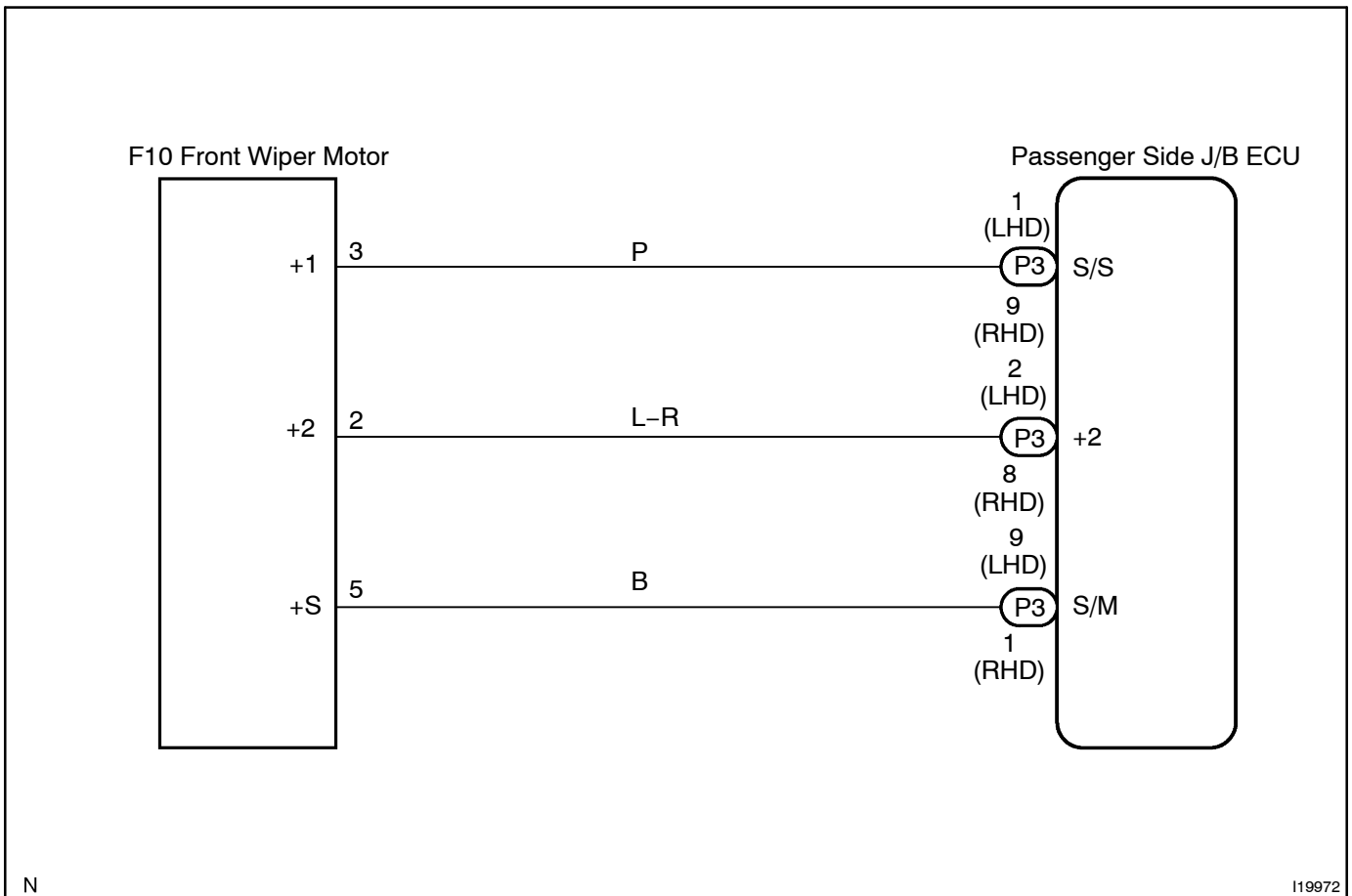
Wiper Motor Circuit

CIRCUIT DESCRIPTION

The passenger side J/B ECU controls the wiper motor.

Even ECU is in the failure; its circuit structures enables to operate the wiper with "HIGH" mode.

WIRING DIAGRAM



N

119972

INSPECTION PROCEDURE**HINT:**

In case of using the LEXUS hand-held tester, start the inspection from step 1 and in case of not using the LEXUS hand-held tester, start from step 2.

1 Check the wiper motor using LEXUS hand-held tester.

PREPARATION:

Connect the LEXUS hand-held tester to the DLC3.

CHECK:

Check that the wiper motor can operate in an ACTIVE TEST.

HINT:

LOW and HIGH can be checked with test separately.

Therefore, check a HIGH side at the time of the problem that HIGH does not operate properly and LOW side at the time of the problem that LOW does not operate properly.

OK

Proceed to next circuit inspection shown on problem symptom table (See page DI-1071).

NG

2 Check the wiper motor (See page BE-64).

NG

Replace the wiper motor.

OK

3 Check wire harness and connector between wiper motor and passenger side J/B ECU (See page IN-35).

NG

Repair or replace wire harness or connector.

OK

Proceed to next circuit inspection shown on problem symptom table (See page DI-1071).